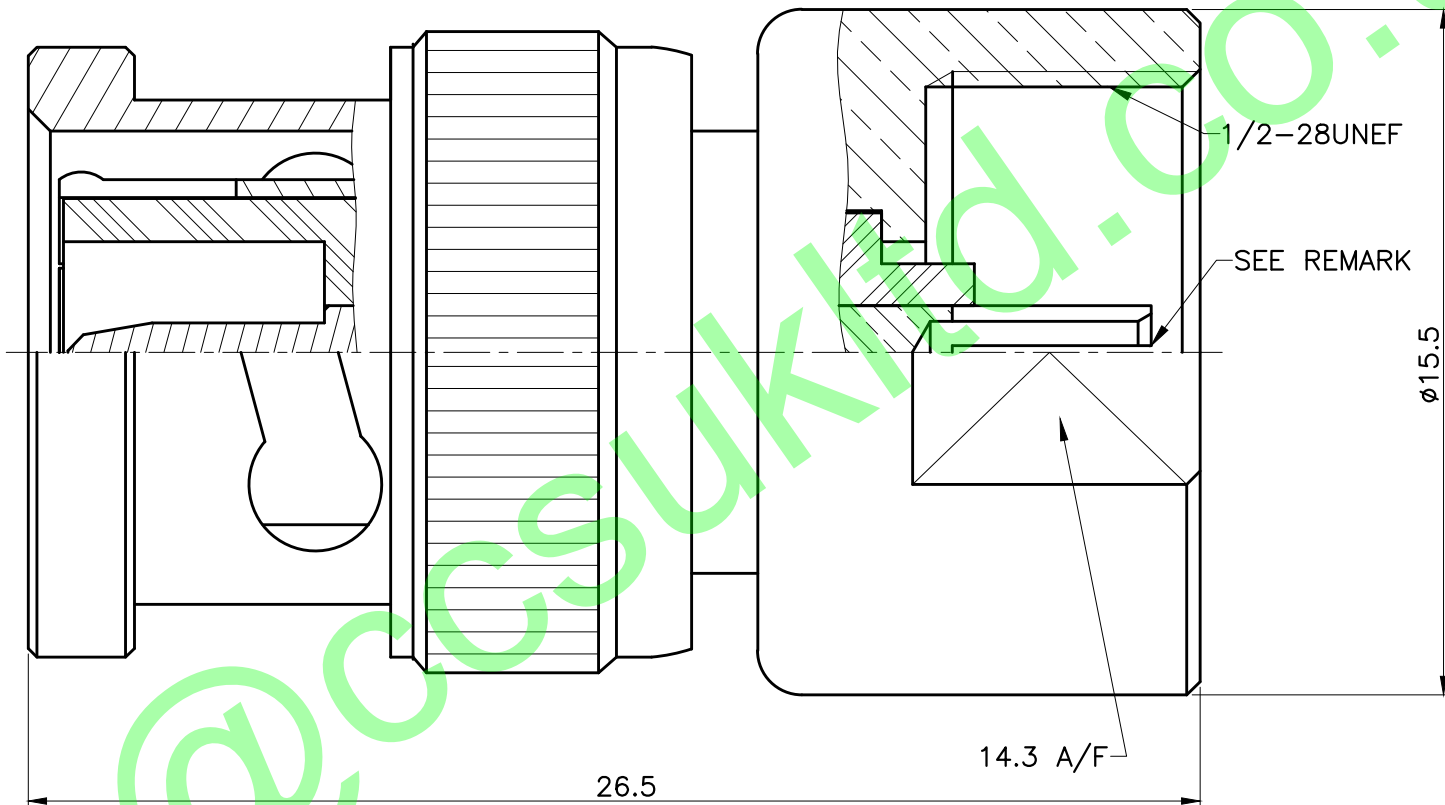


REVISIONS	
ISS	DESCRIPTION\DATE

RoHS COMPLIANT



CONNECTORS CABLES



SPECIALISTS LTD.

REMARK: ACCEPT $\phi 1.32 \sim \phi 1.37$ PIN

TITLE: BNC MALE		APRD:	UNLESS OTHERWISE SPECIFIED TOLERANCES 0.5-6 = ± 0.2 >6-30 = ± 0.4 >30-120 = ± 0.6 >120-315 = ± 1 >315-1000 = ± 1.6 ANGLES = $\pm 5^\circ$			
PART NO: .	CCS507	CHKD:		CONTACT PIN	BRASS	GOLD
DRAWING NO:	032	DR:		INSULATOR	TEFLON	WHITE
DATE: 10/06/15"	UNIT: mm	DATE: 10/06/15"	UNIT: mm	BODY	BRASS	GOLD
SHEET: .	SCALE: 6/1	SHEET: .	SCALE: 6/1	NO. DESCRIPTION	MATERIAL	FINISH