



**CONNECTORS CABLES**

**CCS**

**SPECIALISTS LTD.**

Connectors Cables Specialists (CCS) Ltd

Unit 6 Stort Mill

Riverway

Harlow

Essex

CM20 2SN

Tel: 01279 639251

Fax: 01279 641118

[www.ccsukltd.co.uk](http://www.ccsukltd.co.uk)

Email: [sales@ccsukltd.co.uk](mailto:sales@ccsukltd.co.uk)

## **CR10A Mini-type Metal Push-Pull Electrical Connector**

### **Description**

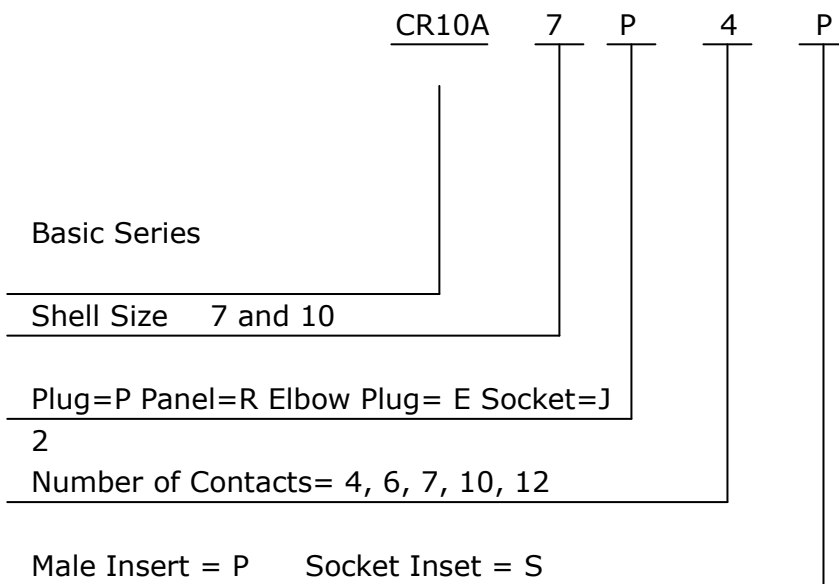
CR10A Metal Push-Pull Electrical Connectors are widely used for electronic, instrument, video and medical equipment.

The characteristics of the products are as follows:

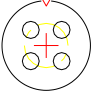
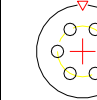
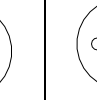
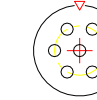
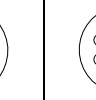
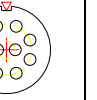
- Push-Pull button makes it easy to connect and separate.
- An Automatic Snap lock makes it reliable to be connected.
- A modified design of key makes it impossible to connect incorrectly.
- Compact structure makes it small-size.



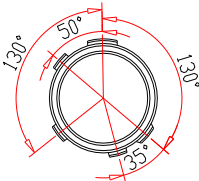
## CR10A Metal Push-Pull Electrical Connector Type

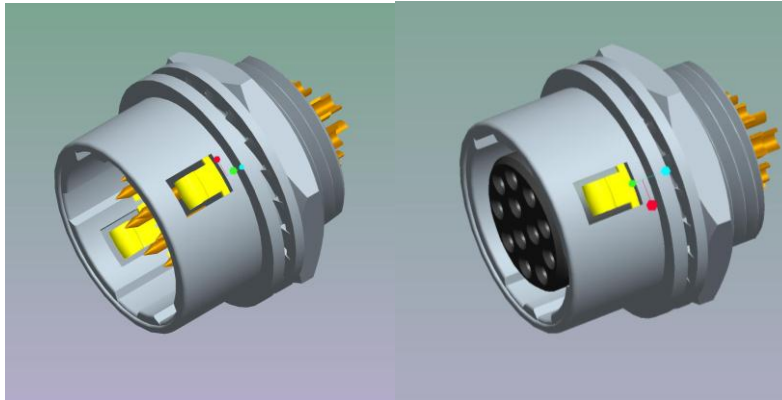
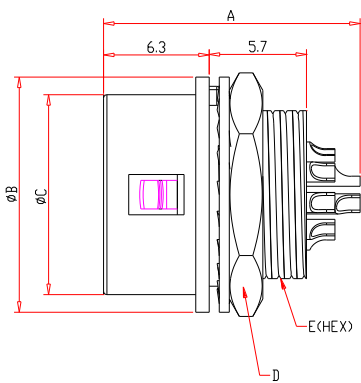


### Contact Configuration and Major Ratings

Item	Technical Characteristics	Contact Layouts					
		1#Shell			2#Shell		
							
1	Contact Diameter mm	0.5			0.7	0.5	
2	Contact Resistance mΩ	10			6.5	10	
3	Working Voltage KV/DC	0.3			0.45	0.3	
	Working Voltage KV/AC	0.2			0.35	0.2	
4	Test Voltage KV/DC	0.9			1.2	0.9	
	Test Voltage KV/AC	0.5			0.8	0.5	
5	Working Current A	2			3.5	2	
6	Working Temperature °C	-50 <sup>0</sup> C—125 <sup>0</sup> C					
7	Mechanical Endurance (Times)	1000					

## Keying Alteration

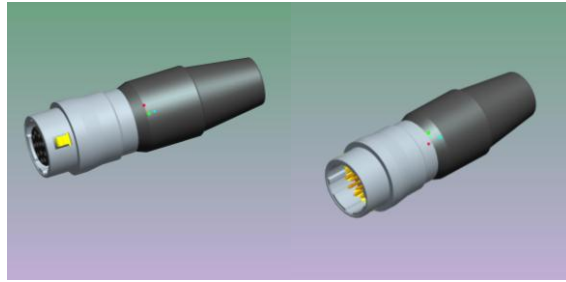
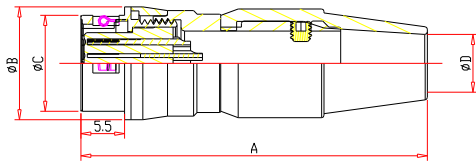
(Plug Forward) Keying	
Plug Type	Jack
Socket Type	Pin
Contact Quantity	4、6、7、10、12



## Fixed Socket Exterior Dimension

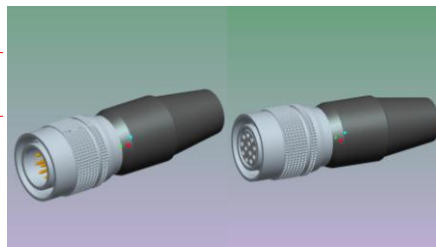
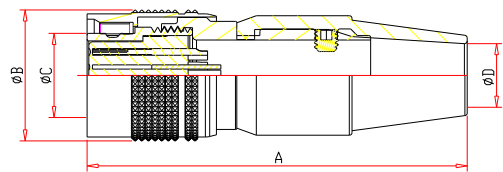
Shell Size	Part No	Contact Quantity	A	ØB	ØC	D	E
1	CR10A7R4P & 4S	4	14	11	8.85	M8*0.5	10
	CR10A7R6P & 6S	6	14	11	8.85	M8*0.5	10
	TBA	7	14	11	8.85	M8*0.5	10
2	TBA	7	16	14	11.9	M11*0.75	13
	CR10A10R10P & 10S	10	16	14	11.9	M11*0.75	13
	CR10A10R12P & 12S	12	16	14	11.9	M11*0.75	13

## Float Socket Exterior Dimension



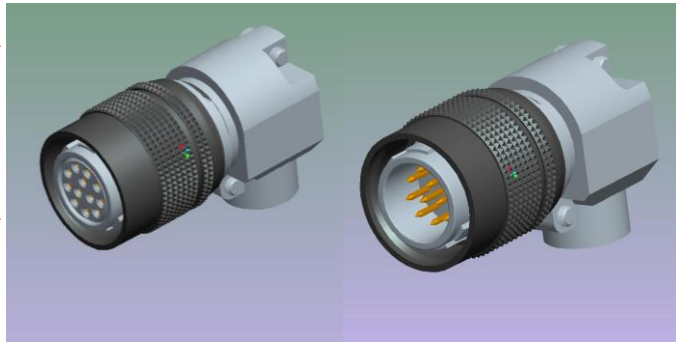
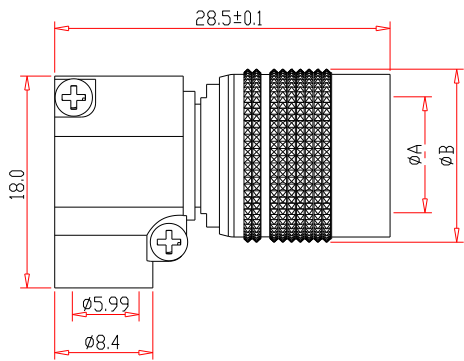
Shell Size	Part No	Contact Quantity	A	$\phi B$	$\phi C$	$\phi D$
1	CR10A7J4P & 4S	4	35.5	11	8.85	5
	CR10A7J6P & 6S	6	35.5	11	8.85	5
	TBA	7	35.5	11	8.85	5
2	TBA	7	44	14	11.9	7
	CR10A10J10P & 10S	10	44	14	11.9	7
	CR10A10J12P & 12S	12	44	14	11.9	7

## Soldering straight plug exterior dimension



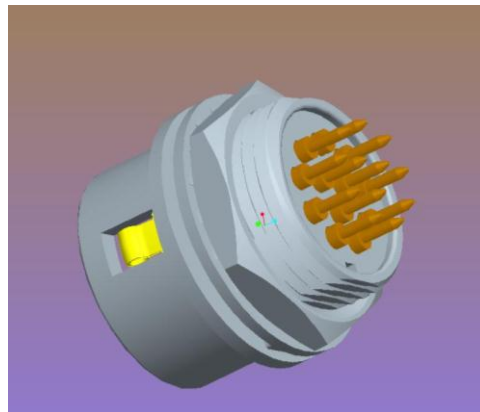
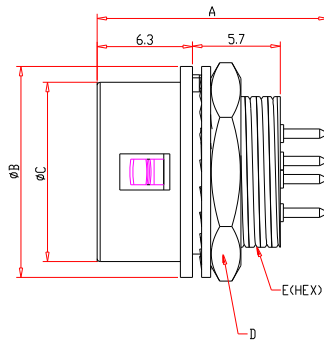
Shell size	Part No	Contact Quantity	A	$\phi B$	$\phi C$	$\phi D$
1	CR10A7P4P & 4S	4	35.5	11.5	7	5
	CR10A7P6P & 6S	6	35.5	11.5	7	5
	TBA	7	35.5	11.5	7	5
2	TBA	7	43.5	14.8	9.5	7
	CR10A10P10P & 10S	10	43.5	14.8	9.5	7
	CR10A10P12P & 12S	12	43.5	14.8	9.5	7

### Soldering elbow plug exterior dimension



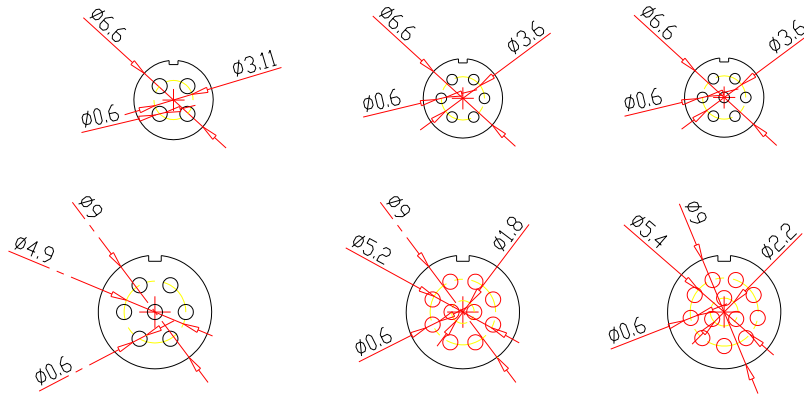
Shell size	Part No	Contact Quantity	φ A	φ B	
2	TBA	7	14.8	9.5	
	TBA	10	14.8	9.5	
	TBA	12	14.8	9.5	

### PCB Type Socket

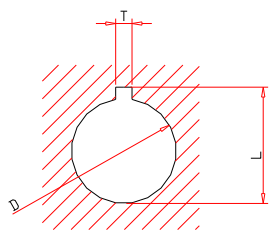


Shell Size	Part No	Contact Quantity	A	φ B	φ C	D	E
1	TBA	4	15.5	11	8.85	M8*0.5	10
	TBA	6	15.5	11	8.85	M8*0.5	10
	TBA	7	15.5	11	8.85	M8*0.5	10
2	TBA	7	15.5	14	11.9	M11*0.75	13
	TBA	10	15.5	14	11.9	M11*0.75	13
	TBA	12	15.5	14	11.9	M11*0.75	13

## PCB Drilling Pattern



### 十一、Drilling pattern dimension

	Shell Size	D	T	L	B
	1	8.0	1.6	9.0	7.3
	2	11.1	2.5	11.5	11.3

# Connectors Cables Specialists (CCS) Ltd

Unit 6 Stort Mill  
Riverway  
Harlow  
Essex  
CM20 2SN

Tel: 01279 639251

Fax: 01279 641118

[www.ccsukltd.co.uk](http://www.ccsukltd.co.uk)

Email: [sales@ccsukltd.co.uk](mailto:sales@ccsukltd.co.uk)

**CONNECTORS CABLES**  
**CCS**  
**SPECIALISTS LTD.**