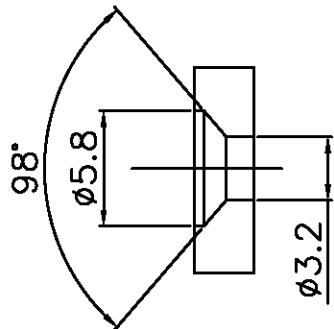
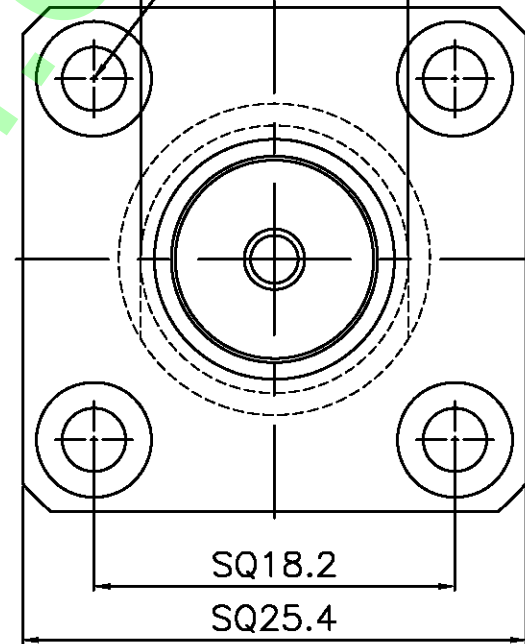
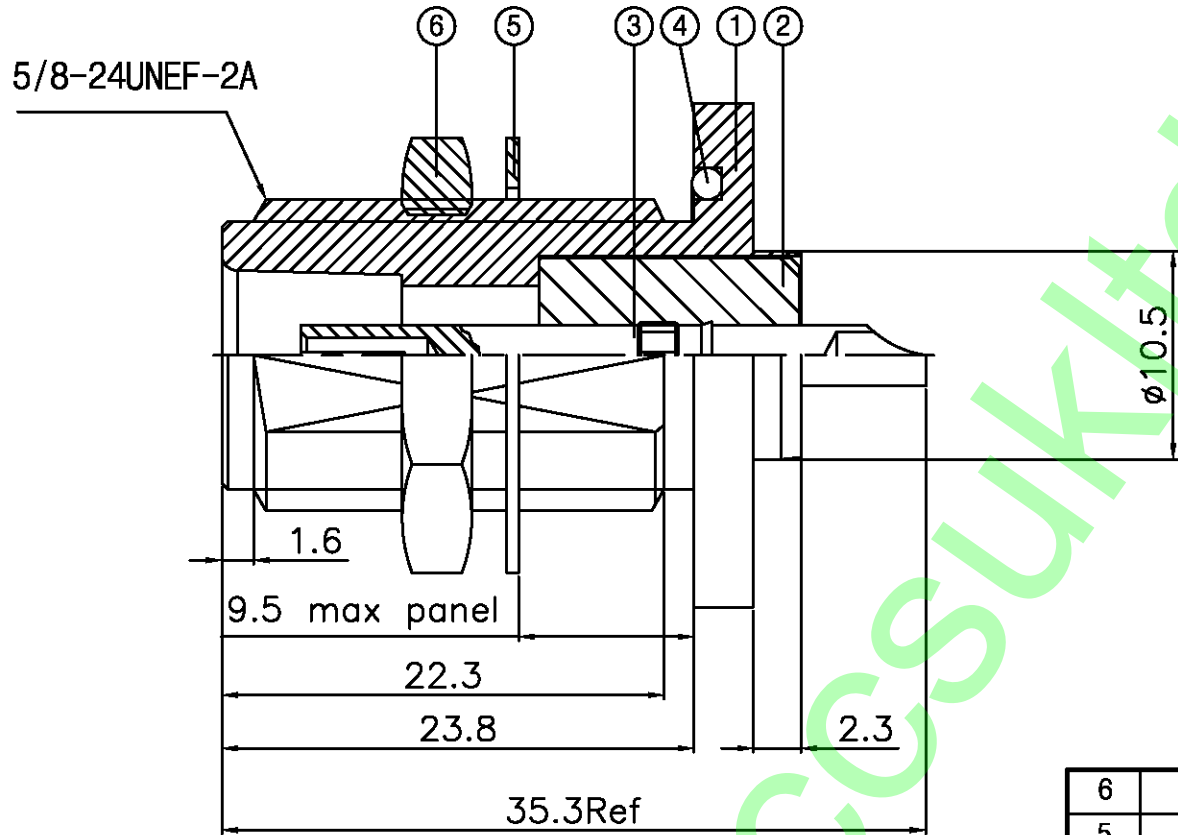


ROSH COMPLIANT

REVISION				
LOT	DESCRIPTION	DATE	CHK	APP

4- ϕ 3.2 Thru
Counter sunk ϕ 5.8
13.5-0.1



CONNECTORS CABLES

CCS

SPECIALISTS LTD.

No	PART NAME	Q'TY	M A T L	FINISH	P/N
6	NUT	1	MBsBD	Silver	
5	LOCK WASHER	1	MBsBD	Silver	
4	O - RING	1	SI RUB		
3	CONTACT	1	BeCu	Silver	
2	INSULATOR	1	P.T.F.E		
1	BODY	1	MBsBD	Silver	

NBPAJSS50SS		COMMON DIFFERENCE DECIMAL ANGLE .X \pm 0.1 1° .X X \pm 0.05		APP	TITLE
DATE	010821	SCALE	2.5/1	CHK	N-B/H Jack Sealed
DIMENSION		m/m	WEIGHT	DRW	DRAWING NUMBER

Connectors Cables Specialists (CCS) Ltd