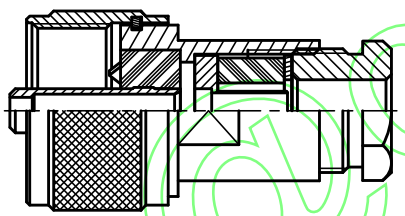
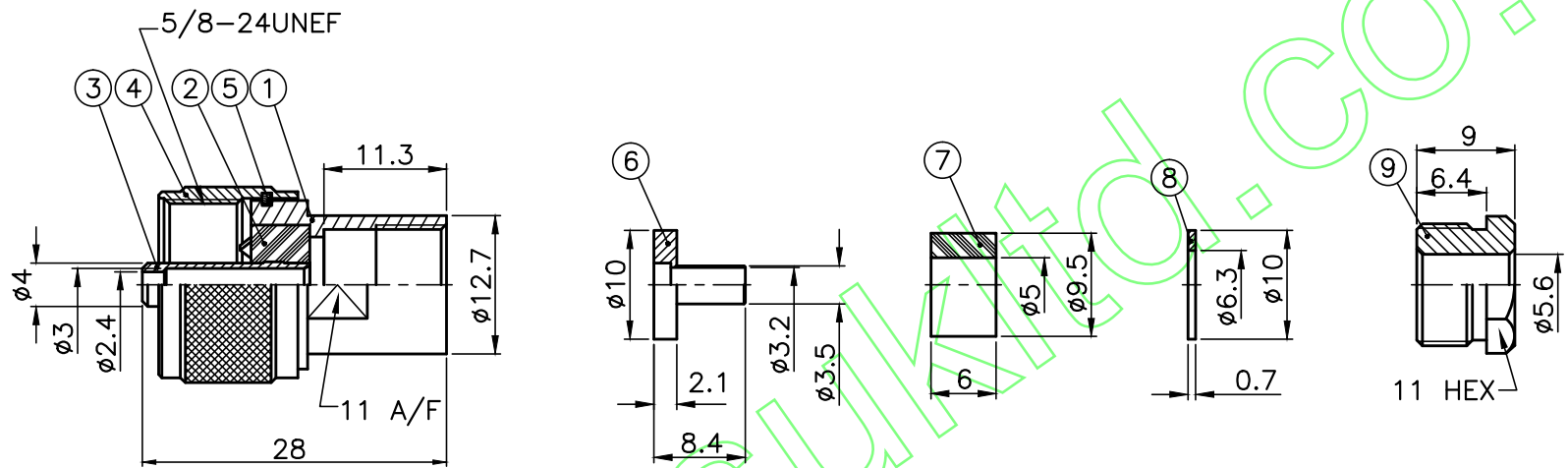


REVISIONS		
ISS	DESCRIPTION	DATE

RoHS COMPLIANT



CONNECTORS CABLES
HCS
 SPECIALISTS LTD.

TITLE: UHF MALE CLAMP
 (FOR RG58)

PART NO: UPSC58

DR. NO:

030

APRD:

CHKD:

DR:

UNLESS OTHERWISE SPECIFIED TOLERANCES
 0.5-6 = ±0.2
 >6-30 = ±0.4
 >30-120 = ±0.6
 >120-315 = ±1
 >315-1000 = ±1.6
 ANGLES = ±5°

DATE: 12/25/12" UNIT: mm

SHEET: . SCALE: 1.5/1

9	NUT	BRASS	NICKEL
8	WASHER	BRASS	NICKEL
7	GASKET	SILICONE	WHITE
6	TOP HAT	BRASS	NICKEL
5	RING	BRASS	NONE
4	SHELL	BRASS	NICKEL
3	CONTACT PIN	BRASS	GOLD
2	INSULATOR	TEFLON	WHITE
1	BODY	BRASS	NICKEL
NO.	DESCRIPTION	MATERIAL	FINISH