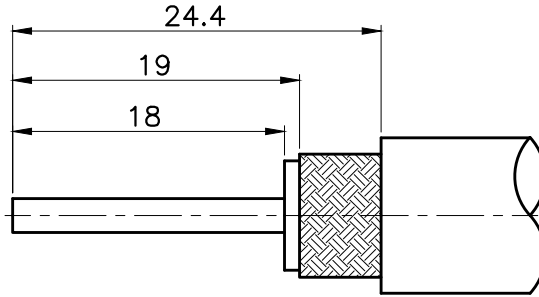
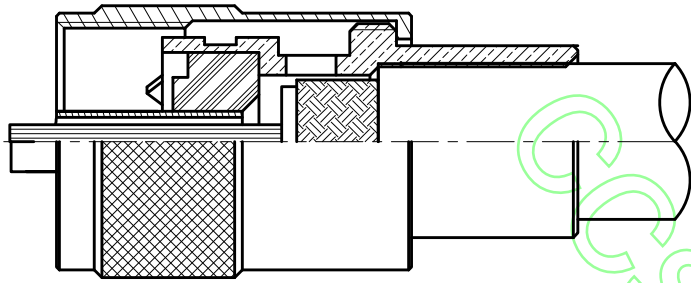
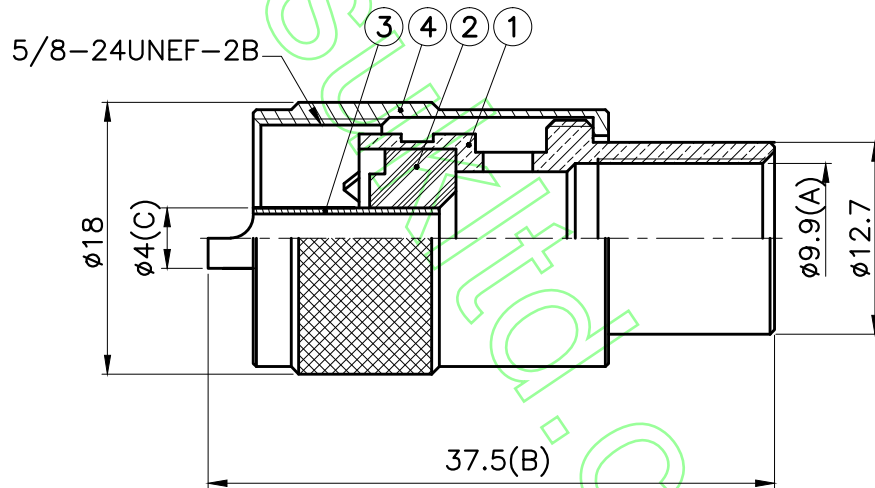


REVISIONS	
ISS	DESCRIPTION \ DATE



RECOMMENDED  
CABLE STRIPPING DIM'S

RoHS COMPLIANT



CONNECTORS CABLES



SPECIALISTS LTD.

TITLE: UHF MALE  
(FOR RG213)

PART NO: UPS213

DRAWING NO:

032

DATE: 10/16/20"

SHEET: .

UNIT: mm

SCALE: 2/1

APRD:

CHKD:

DR:

UNLESS OTHERWISE  
SPECIFIED TOLERANCES  
0.5-6 = ±0.2  
>6-30 = ±0.4  
>30-120 = ±0.6  
>120-315 = ±1  
>315-1000 = ±1.6  
ANGLES = ±5°

NO.	DESCRIPTION	MATERIAL	FINISH
4	SHELL	BRASS	NICKEL
3	CONTACT PIN	BRASS	NICKEL
2	INSULATOR	NYLON	BROWN
1	BODY	ZINC ALLOY	NICKEL