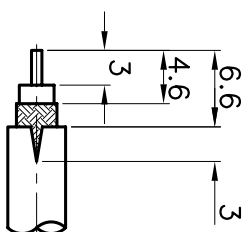
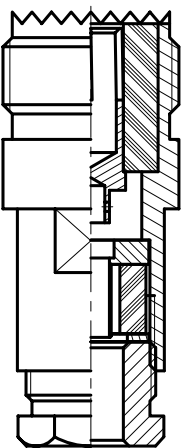
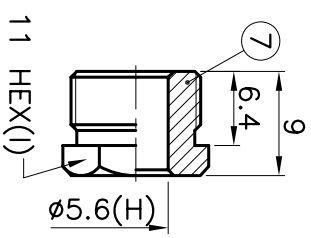
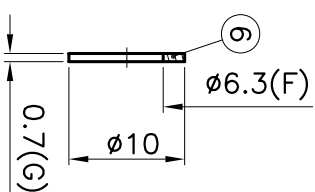
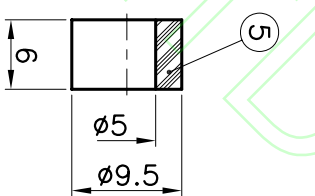
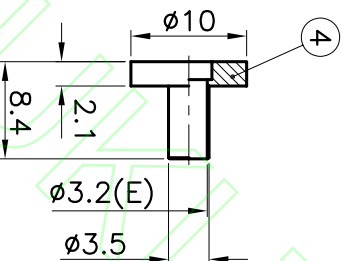
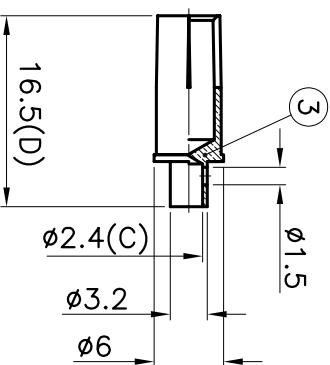
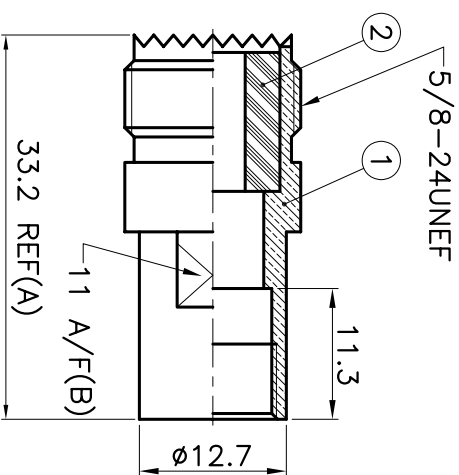


ISS	REVISIONS
	DESCRIPTION \ DATE
A1	第6號WASHER內徑由5.6mm改為6.3mm \ 04/24/13"
A2	第1號主體長度由31mm改為33.2mm \ 05/16/13"

RoHS COMPLIANT



RECOMMENDED
CABLE STRIPPING DIM'S



CONNECTORS CABLES
HBS
SPECIALISTS LTD.

TITLE: UHF FEMALE CLAMP
(FOR RG58)

PART NO: UJSC58

DR. NO:

ISO 9001 certificate

APRD:	UNLESS OTHERWISE SPECIFIED TOLERANCES	7 NUT	BRASS	NICKEL
CHKD:	0.5-6 = ±0.2	6 WASHER	BRASS	NICKEL
DR:	>6-30 = ±0.4	5 GASKET	SILICONE	WHITE
DATE: 05/16/13"	>30-120 = ±0.6	4 TOP HAT	BRASS	NICKEL
SHEET: .	>120-315 = ±1.6	3 CONTACT PIN	BRASS	GOLD
	>315-1000 = ±1.6	2 INSULATOR	TEFLON	WHITE
	ANGLES = ±1.5	1 BODY	BRASS	NICKEL
			MATERIAL	FINISH

NO.	DESCRIPTION	NO.	DESCRIPTION
030	SCALE: 1.5/1		