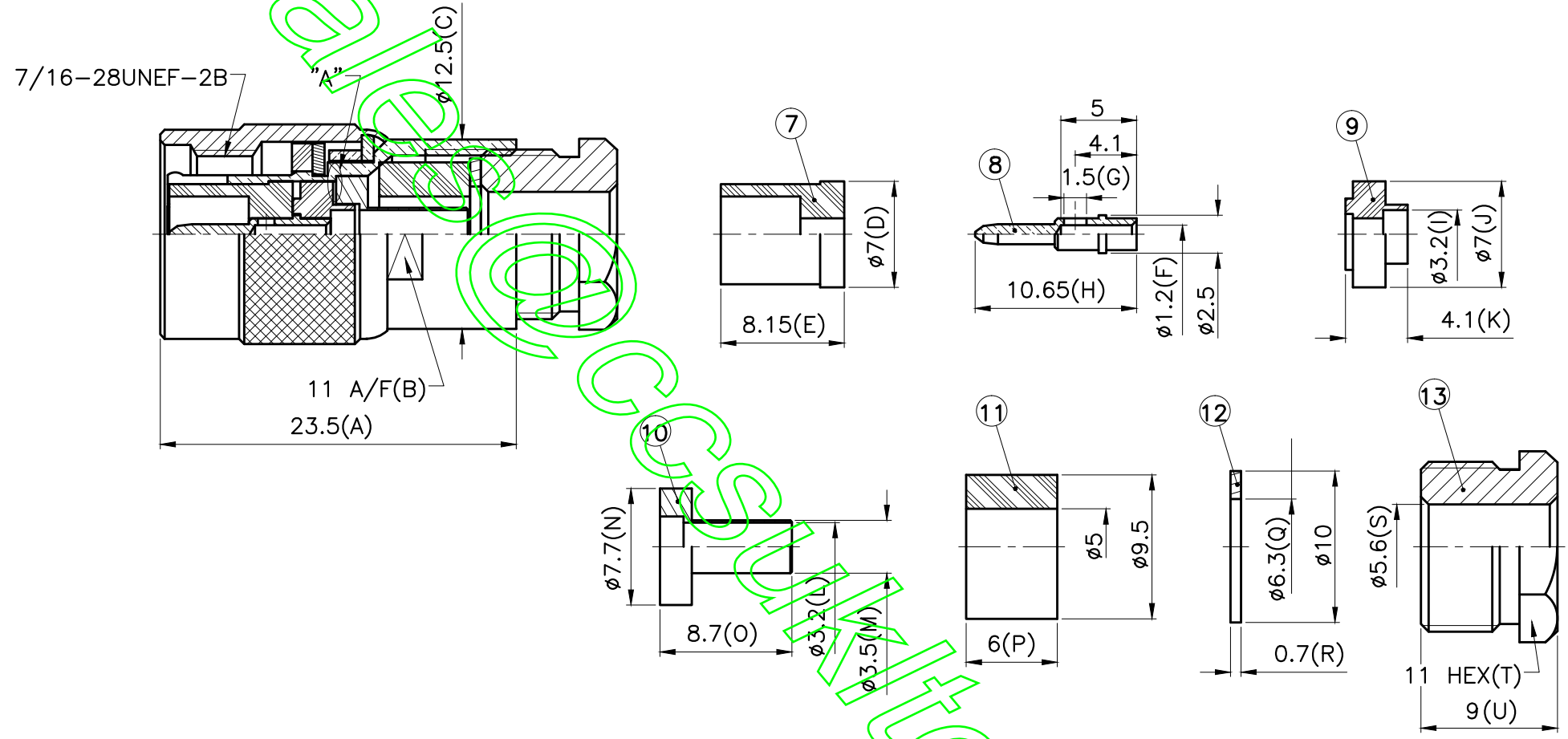


ISS	REVISIONS	DESCRIPTION	DATE

RoHS COMPLIANT



TITLE: TNC MALE CLAMP
 RG223 RG400
 PART NO: TPSC223 030
 DR. NO:

APRD:
 CHKD:
 DR:
 DATE: 04/19/12" UNIT: mm
 SHEET: . SCALE: 2.5/1

UNLESS OTHERWISE SPECIFIED TOLERANCES
 0.5-6 = ±0.2
 >6-30 = ±0.4
 >30-120 = ±0.6
 >120-315 = ±1
 >315-1000 = ±1.6
 ANGLES = ±5°

NO.	DESCRIPTION	MATERIAL	FINISH
13	NUT	BRASS	NICKEL
12	WASHER	BRASS	NICKEL
11	GASKET	SILICONE	WHITE
10	TOP HAT	BRASS	NICKEL
9	INSULATOR	TEFLON	WHITE
8	CONTACT PIN	BRASS	GOLD
7	INSULATOR	TEFLON	WHITE
6	WASHER	STEEL	NICKEL
5	RING	BRASS	NICKEL
4	C WASHER	STEEL	NICKEL
3	GASKET	SILICONE	RED
2	BODY	BRASS	NICKEL
1	SHELL	BRASS	NICKEL