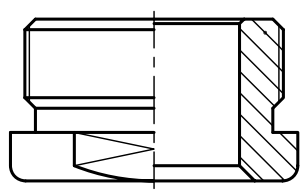
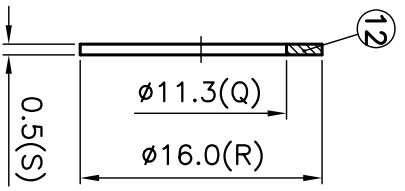
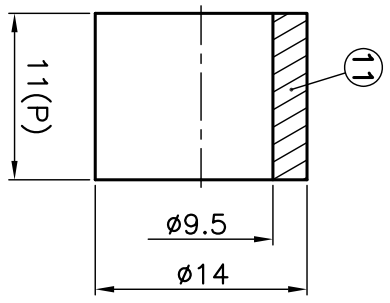
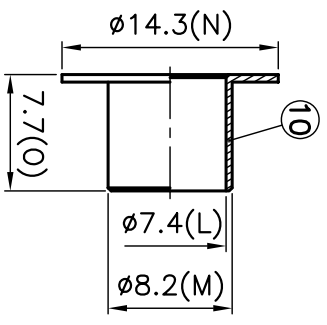
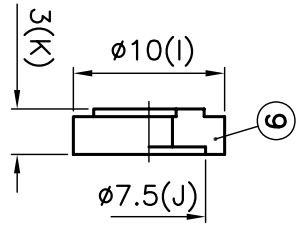
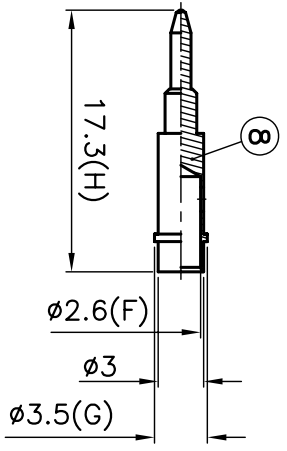
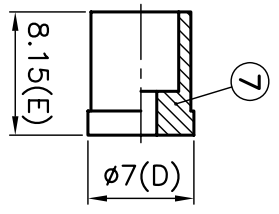
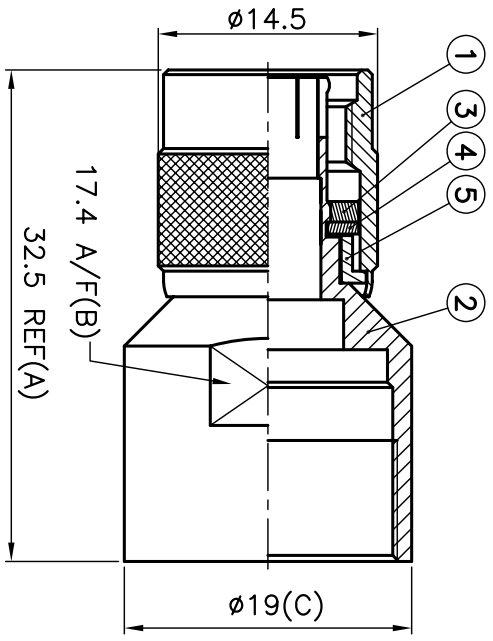


ISS	REVISIONS	DESCRIPTION \ DATE

RoHS COMPLIANT



CONNECTORS CABLES
CCS
SPECIALISTS LTD.

TITLE: TNC MALE CLAMP
 (FOR RG214/U)

PART NO: TPSC214
 DR. NO: 30
 DATE: 11/26/08
 SHEET: 30
 UNIT: mm
 SCALE: 2/1

APRD:
 CHKD:
 DR:

UNLESS OTHERWISE SPECIFIED TOLERANCES
 0.5-6 = ±0.2
 >6-30 = ±0.4
 >30-120 = ±0.6
 >120-315 = ±1.0
 >315-1000 = ±1.6
 ANGLES = ±5°

NO.	DESCRIPTION	MATERIAL	FINISH	SGS REPORT NO
13	NUT	BRASS	NICKEL	
12	WASHER	BRASS	NICKEL	
11	GASKET	SILICONE	WHITE	
10	TOP HAT	BRASS	NICKEL	
9	INSULATOR	TEFLON	WHITE	
8	CONTACT PIN	BRASS	GOLD	
7	INSULATOR	TEFLON	WHITE	
6	WASHER	STEEL	NICKEL	KA/2005/10523 \ KA/2005/60362
5	SPRING	STEEL	NICKEL	KA/2005/10523 \ KA/2005/60362
4	C WASHER	STEEL	NICKEL	KA/2005/10523 \ KA/2005/60362
3	GASKET	SILICONE	RT	KA/2005/10529
2	BODY	BRASS	NICKEL	KA/2005/10527 \ KA/2005/60362
1	SHELL	BRASS	NICKEL	KA/2005/10527 \ KA/2005/60362