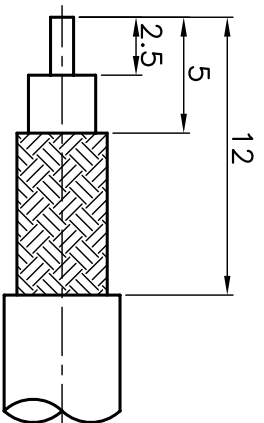
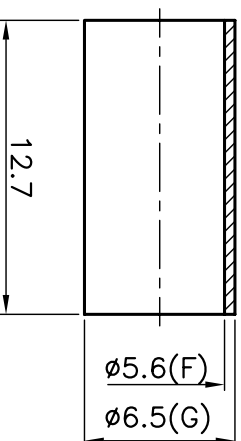
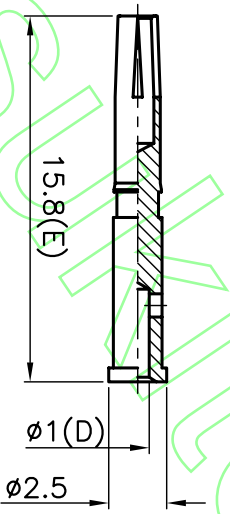
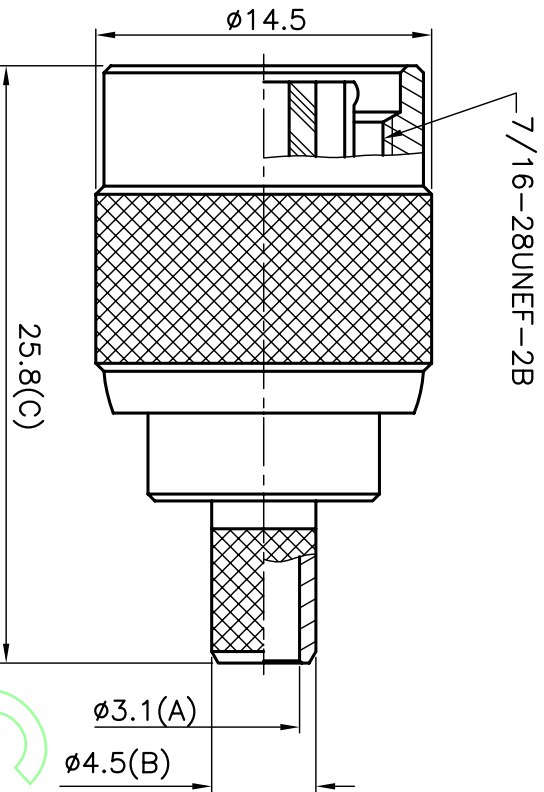


ISS	REVISIONS
	DESCRIPTION \ DATE



RECOMMENDED
CABLE STRIPPING DIM'S

RoHS COMPLIANT



1. CRIMPED FERRULE
HEX CRIMP SIZE .213"
2. CRIMPED CONTACT PIN
HEX CRIMP SIZE .068"

CONNECTORS CABLES
BHS
SPECIALISTS LTD.

TITLE: R/P TNC MALE CRIMP
(FOR RG58) REVERSE POLARITY

PART NO: TPCRS58R

DR. NO:

APRD:	UNLESS OTHERWISE SPECIFIED TOLERANCES	FERRULE	BRASS	NICKEL
CHKD:	0.5-6 = ±0.2	CONTACT PIN	BRASS	GOLD
DR:	>6-30 = ±0.4	WASHER	BRASS	NICKEL
DATE: 10/30/09	>30-120 = ±0.6	C RING	SKS	NICKEL
SCALE: 3/1	>120-315 = ±1.6	GASKET	RUBBER	RED
55 SHEET:	>315-1000 = ±1.6	SHELL	BRASS	NICKEL
	ANGLES = ±1.6	INSULATOR	TEFLON	WHITE
		BODY	BRASS	NICKEL
		NO. DESCRIPTION	MATERIAL	FINISH