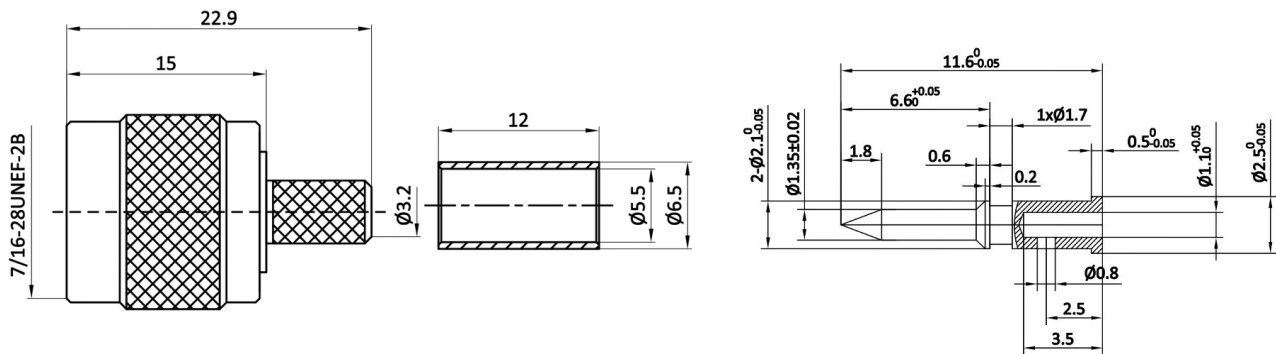


TNC Male Crimp Connector, for RG58 Cable (TPCR5802)

Drawing: (mm)



Electrical Data

Impedance	50 Ohm
Frequency range	DC-6 GHz
Dielectric resistance	$\geq 5000 \text{ M}\Omega$
Dielectric withstanding voltage	$\geq 1500 \text{ V RMS}$, 50Hz, at sea level
Working Voltage	$\leq 750 \text{ V RMS}$, 50Hz, at sea level
Contact Resistance	Center Contact $\leq 1.5 \text{ m}\Omega$, Outer Contact $\leq 0.2 \text{ m}\Omega$

Mechanical and Environmental

Apply with the cable	RG58 cable
Mating cycles	≥ 500 times
Temperature range	$-45^\circ\text{C} \sim +125^\circ\text{C}$
RoHS compliant	Full RoHS compliance

Material and Plating

Body	Brass / Ni plating
Center conductor	Brass / Au plating
Insulator	PTFE
Connection sleeve	Brass / Ni plating