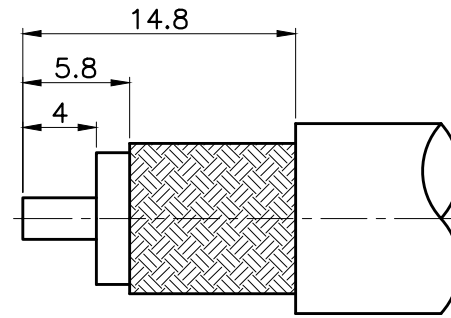
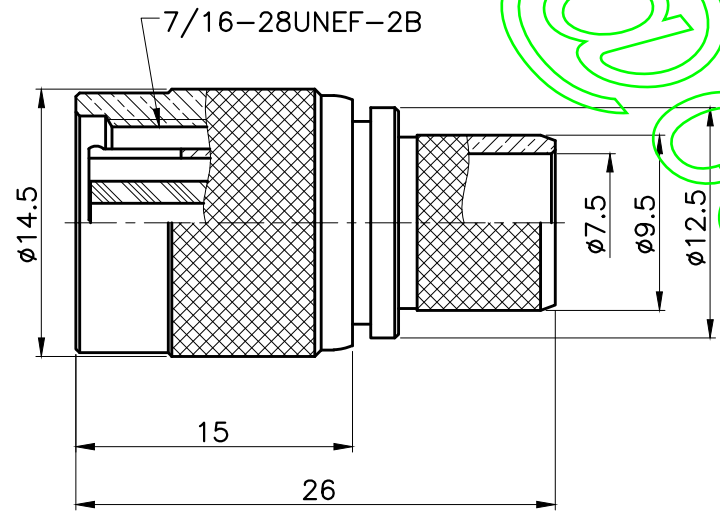


REVISIONS	
ISS	DESCRIPTION \ DATE

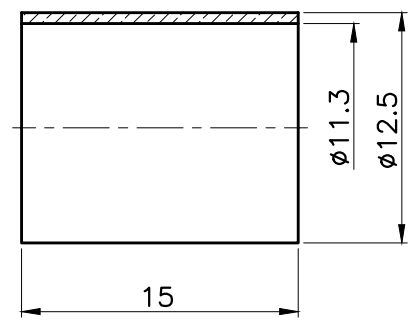
RoHS COMPLIANT



CABLE STRIPPING DIM'S



1. CRIMPED FERRULE
HEX CRIMP SIZE .429"
2. CONTACT PIN TO SOLDER



TITLE: RP TNC MALE CRIMP (FOR LMR400)
REVERSE POLARITY

PART NO: . TPCR519R
DR. NO: . 055

APRD:	UNLESS OTHERWISE SPECIFIED TOLERANCES 0.5-6 = ±0.2 >6-30 = ±0.4 >30-120 = ±0.6 >120-315 = ±1 >315-1000 = ±1.6 ANGLES = ±5°
CHKD:	
DR:	
DATE: 09/11/12"	UNIT: mm
SHEET: .	SCALE: 2.5/1

FERRULE	BRASS	NICKEL
CONTACT PIN	PHOSPHOR BRONZE	GOLD
BODY	BRASS	NICKEL
INSULATOR	TEFLON	WHITE
WASHER	BRASS	NICKEL
RING	SK5	NICKEL
GASKET	SILICONE	RED
SHELL	BRASS	NICKEL
NO. DESCRIPTION	MATERIAL	FINISH