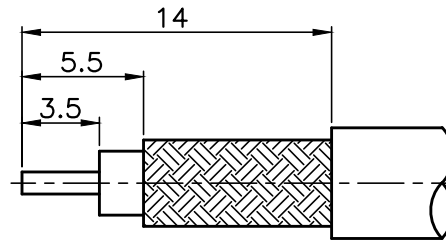
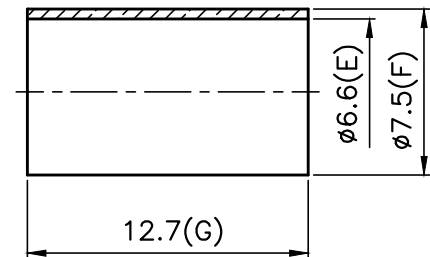
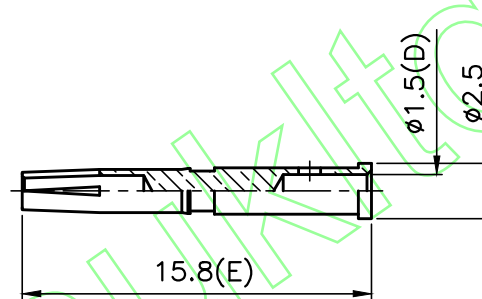
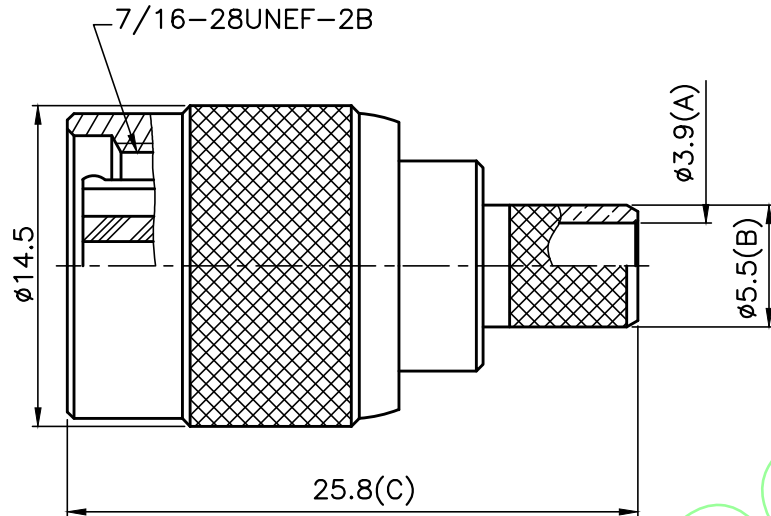


REVISIONS		
ISS	DESCRIPTION	DATE



RoHS COMPLIANT

RECOMMENDED  
CABLE STRIPPING DIM'S



1. CRIMPED FERRULE  
HEX CRIMP SIZE .256"
2. CRIMPED CONTACT PIN  
HEX CRIMP SIZE .068"

CONNECTORS CABLES



SPECIALISTS LTD.

APRD:	UNLESS OTHERWISE SPECIFIED TOLERANCES 0.5-6 = ±0.2 >6-30 = ±0.4 >30-120 = ±0.6 >120-315 = ±1 >315-1000 = ±1.6 ANGLES = ±5°	FERRULE	BRASS	NICKEL
CHKD:		CONTACT PIN	BRASS	GOLD
DR:		WASHER	BRASS	NICKEL
TITLE: R/P TNC MALE CRIMP (FOR LMR240)		C RING	SK5	NICKEL
PART NO: TPCR240R	055	GASKET	RUBBER	RED
DRAWING NO:	DATE: 10/30/17"	SHELL	BRASS	NICKEL
	UNIT: mm	INSULATOR	TEFLON	WHITE
	SCALE: 3/1	BODY	BRASS	NICKEL
		NO. DESCRIPTION	MATERIAL	FINISH