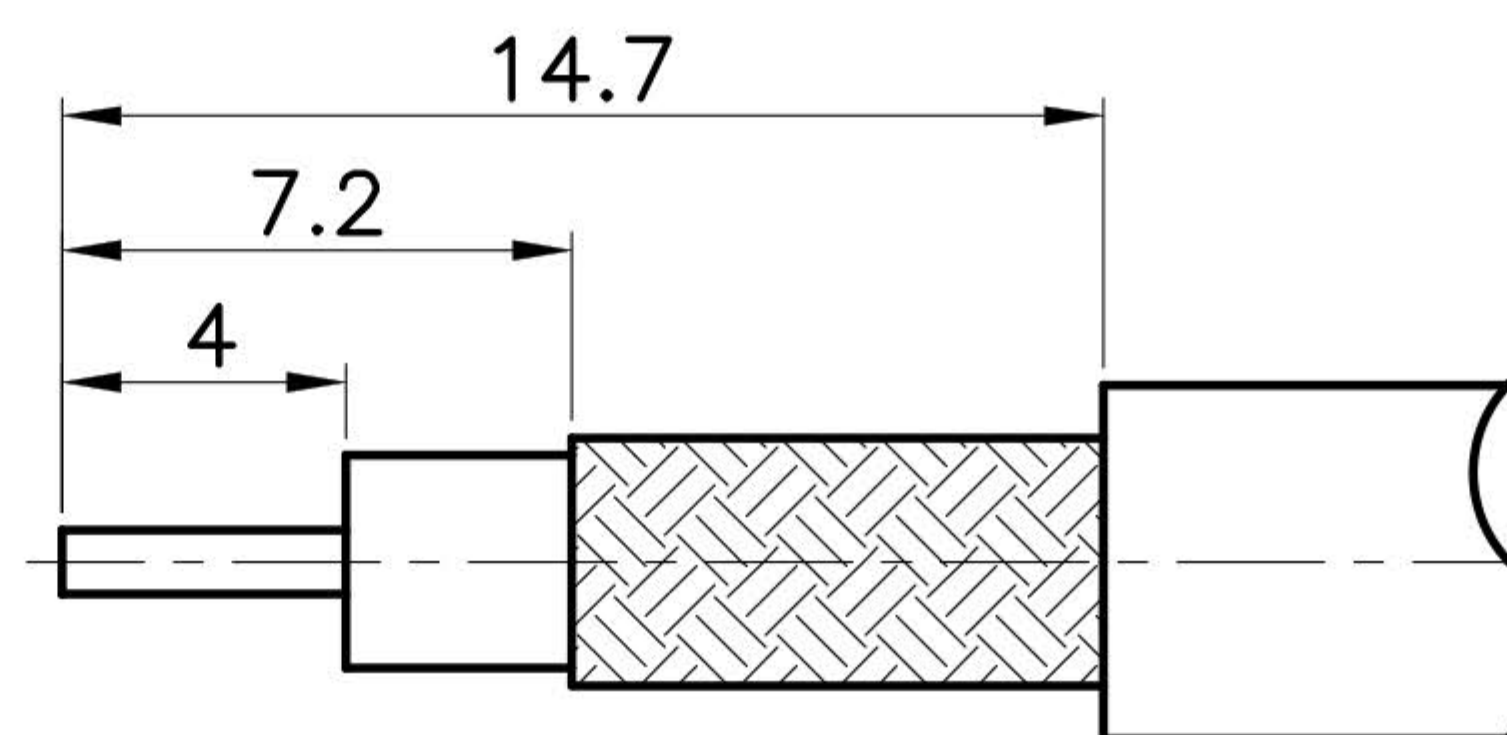


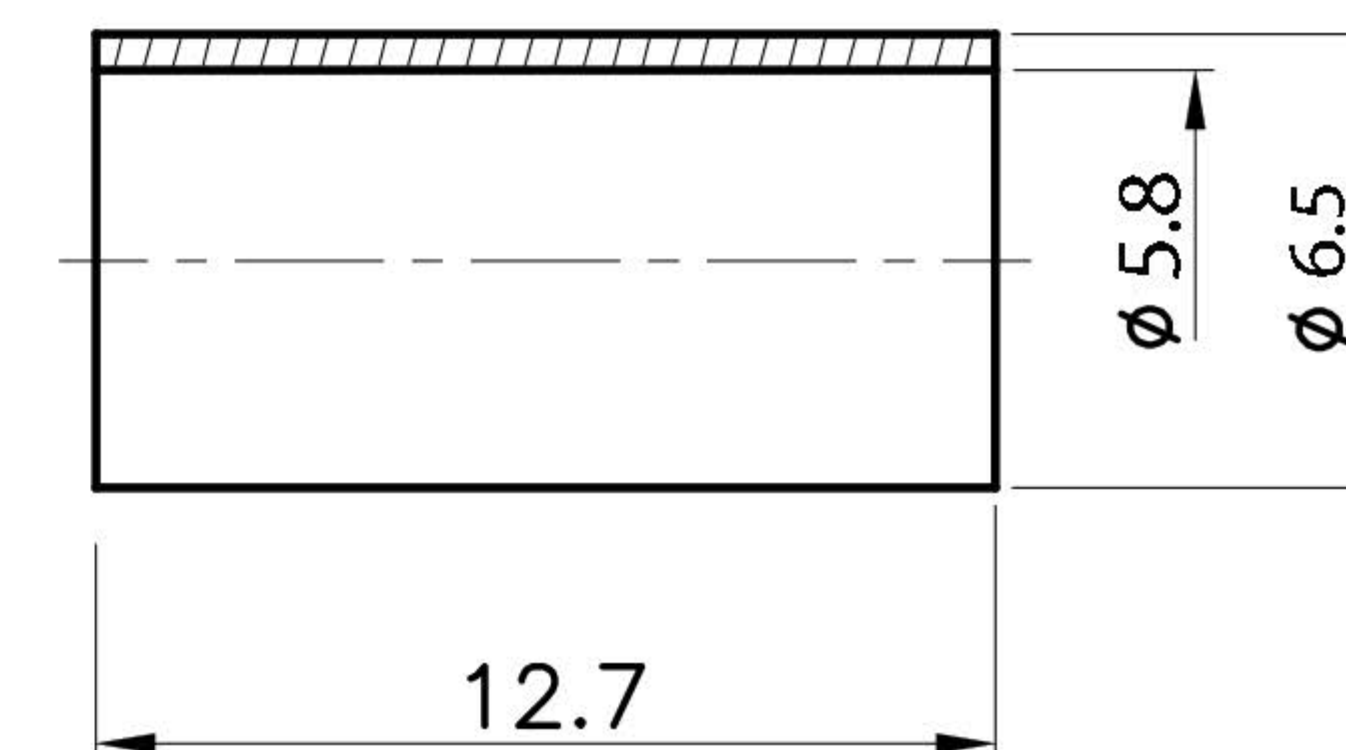
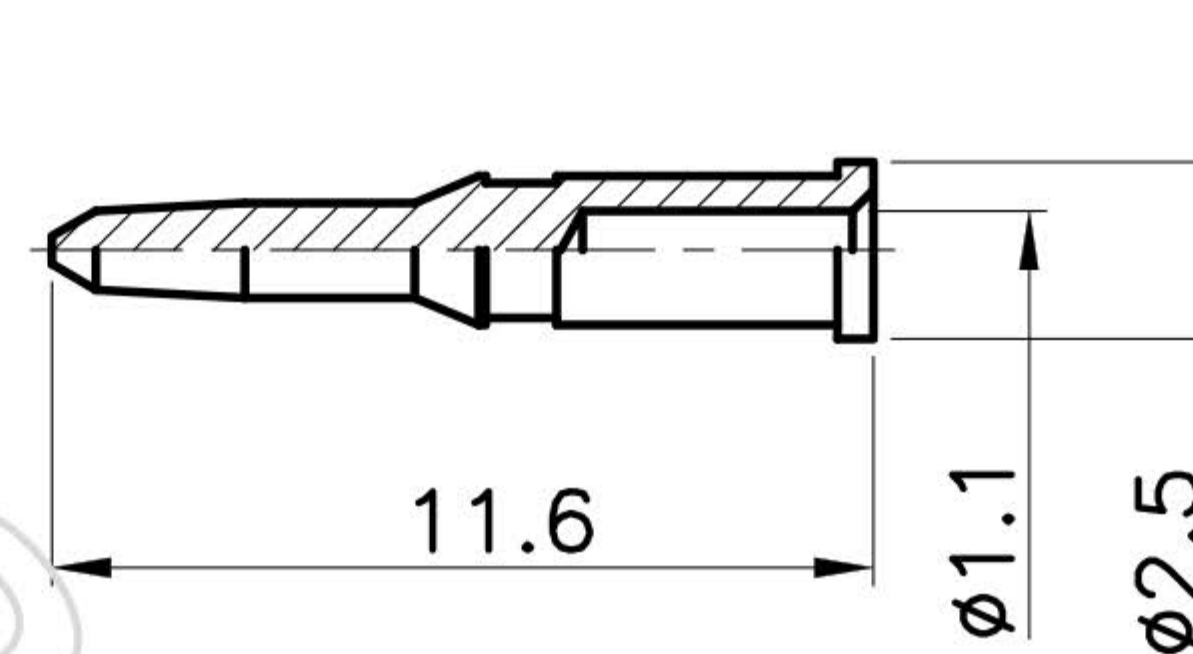
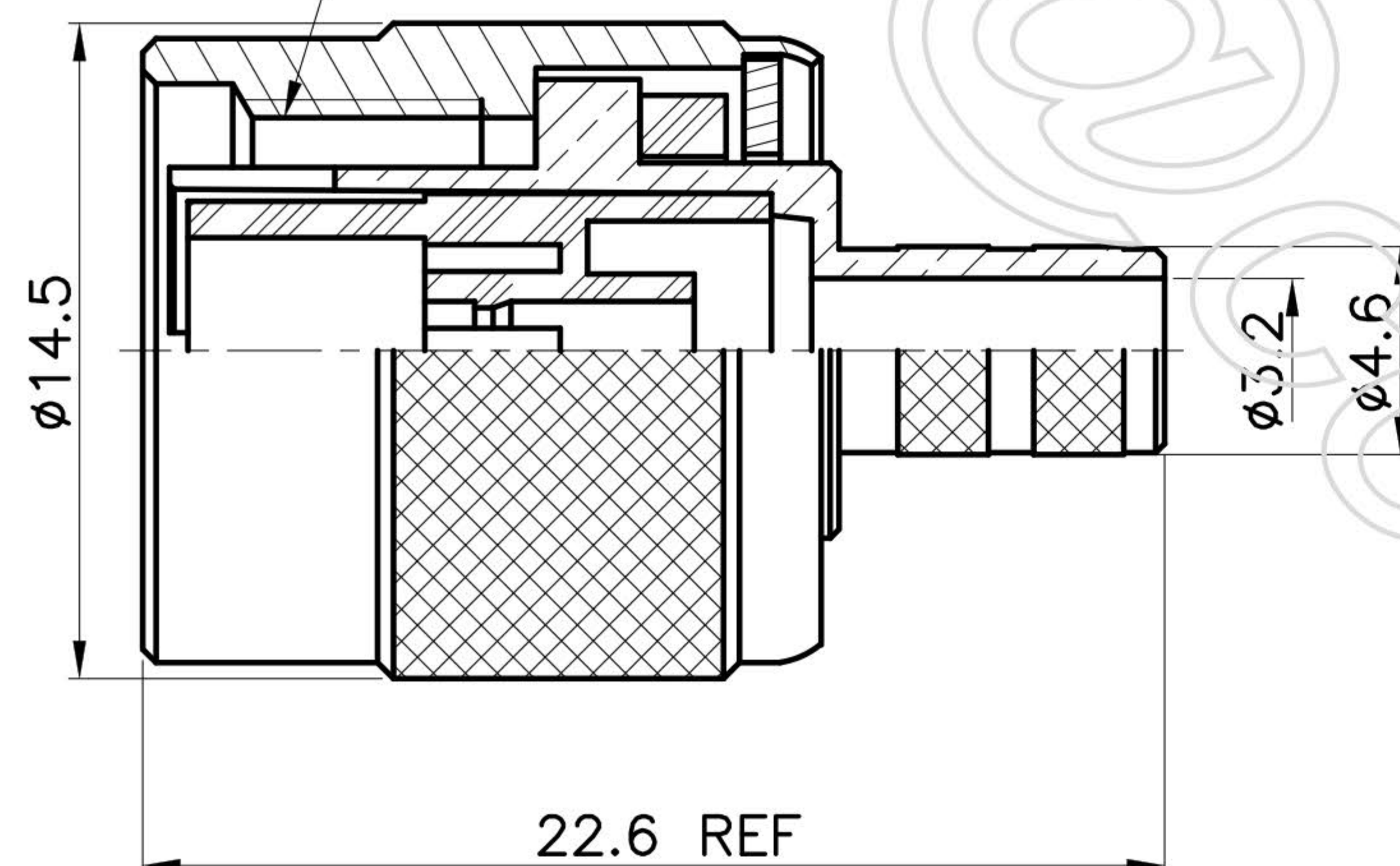
REVISIONS		
ISS	DESCRIPTION	DATE

RoHS COMPLIANT



RECOMMENDED  
CABLE STRIPPING DIM'S

7/16-28UNEF-2B



1. CRIMPED FERRULE  
HEX CRIMP SIZE .213"
2. CRIMPED CONTACT PIN  
HEX CRIMP SIZE .068"



TITLE: TNC MALE CRIMP  
(FOR RG223)

PART NO: TPCR223

DRAWING NO:

ISO 9001 certificate

APRD:	UNLESS OTHERWISE SPECIFIED TOLERANCES 0.5-6 = ±0.2 >6-30 = ±0.4 >30-120 = ±0.6 >120-315 = ±1 >315-1000 = ±1.6 ANGLES = ±5°	FERRULE	BRASS	NICKEL
CHKD:		CONTACT PIN	BRASS	GOLD
DR:		SHELL	BRASS	NICKEL
DATE: 05/17/11"	UNIT: mm	WASHER	STEEL	NICKEL
SHEET: .	SCALE: 3/1	RING	DELRIN	WHITE
		INSULATOR	DELRIN	WHITE
		BODY	ZINC ALLOY	NICKEL
		NO. DESCRIPTION	MATERIAL	FINISH