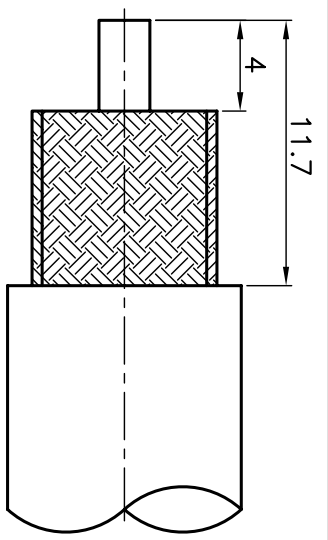
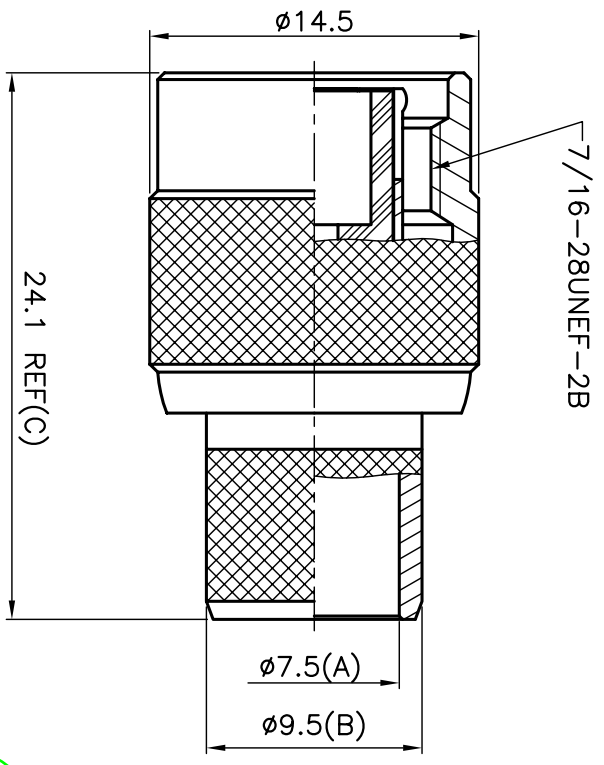
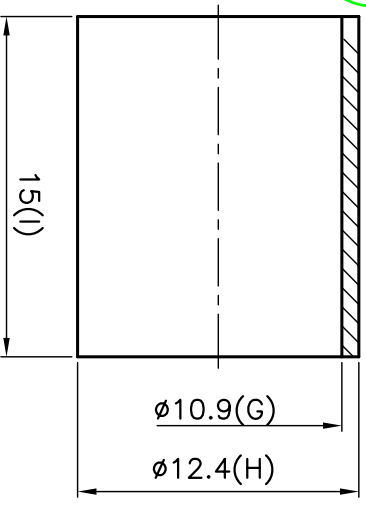
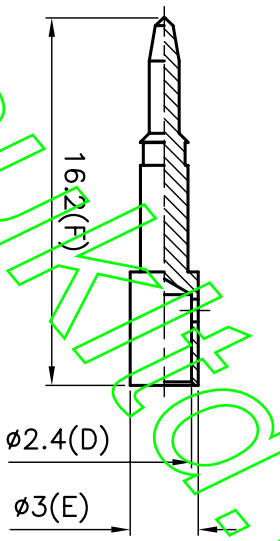


ISS	REVISIONS
	DESCRIPTION \ DATE

RoHS COMPLIANT



RECOMMENDED
CABLE STRIPPING DIM'S



1. CRIMPED FERRULE
HEX CRIMP SIZE .429"
2. CRIMPED CONTACT PIN
HEX CRIMP SIZE .100"

CONNECTORS CABLES
HHS
SPECIALISTS LTD.

TITLE: TNC MALE CRIMP
(FOR RG213/U)

PART NO: TPCR213
DRAWING NO: 030

APRD: _____
CHKD: _____
DR: _____

UNLESS OTHERWISE SPECIFIED TOLERANCES
0.5-6 = ±0.2
>6-30 = ±0.4
>30-120 = ±0.6
>120-315 = ±1.0
>315-1000 = ±1.6
ANGLES = ±5°

DATE: 11/04/09"
UNIT: mm
SCALE: 3/1

SHEET: .
NO. DESCRIPTION

NO.	DESCRIPTION	MATERIAL	FINISH
	FERRULE	BRASS	NICKEL
	CONTACT PIN	BRASS	GOLD
	SHELL	BRASS	NICKEL
	INSULATOR	DELIRIN	WHITE
	BODY	BRASS	NICKEL
		MATERIAL	FINISH

www.hhsconnectors.com