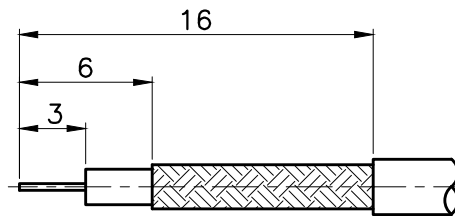
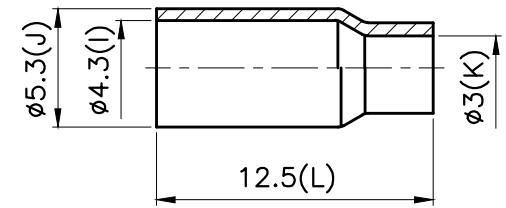
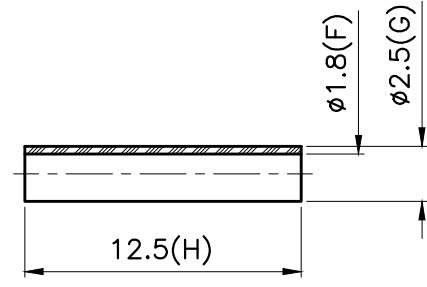
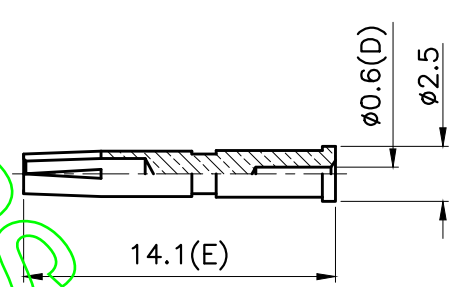
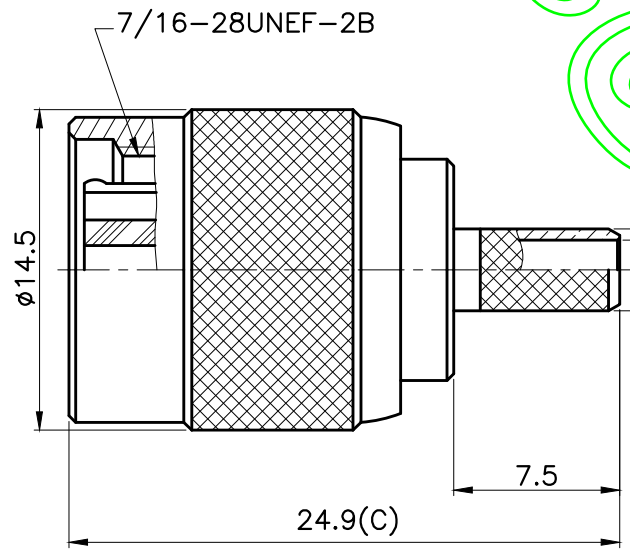


REVISIONS	
ISS	DESCRIPTION \ DATE



RoHS COMPLIANT

RECOMMENDED
CABLE STRIPPING DIM'S



1. CRIMPED FERRULE
HEX CRIMP SIZE .178"
2. CRIMPED CONTACT PIN
HEX CRIMP SIZE .068"



TITLE: R/P TNC MALE CRIMP
(FOR RG174)

PART NO: TPCR174R

DR. NO:

029

APRD:	UNLESS OTHERWISE SPECIFIED TOLERANCES 0.5-6 = ±0.2 >6-30 = ±0.4 >30-120 = ±0.6 >120-315 = ±1 >315-1000 = ±1.6 ANGLES = ±5°
CHKD:	
DR:	
DATE: 12/25/12"	UNIT: mm
SHEET: .	SCALE: 3/1

NO.	DESCRIPTION	MATERIAL	FINISH
	FERRULE	BRASS	NICKEL
	CONTACT PIN	BRASS	GOLD
	RING	DELIN	WHITE
	WASHER	BRASS	NICKEL
	C RING	STEEL	NICKEL
	GASKET	RUBBER	RED
	SHELL	BRASS	NICKEL
	INSULATOR	DELIN	WHITE
	BODY	BRASS	NICKEL