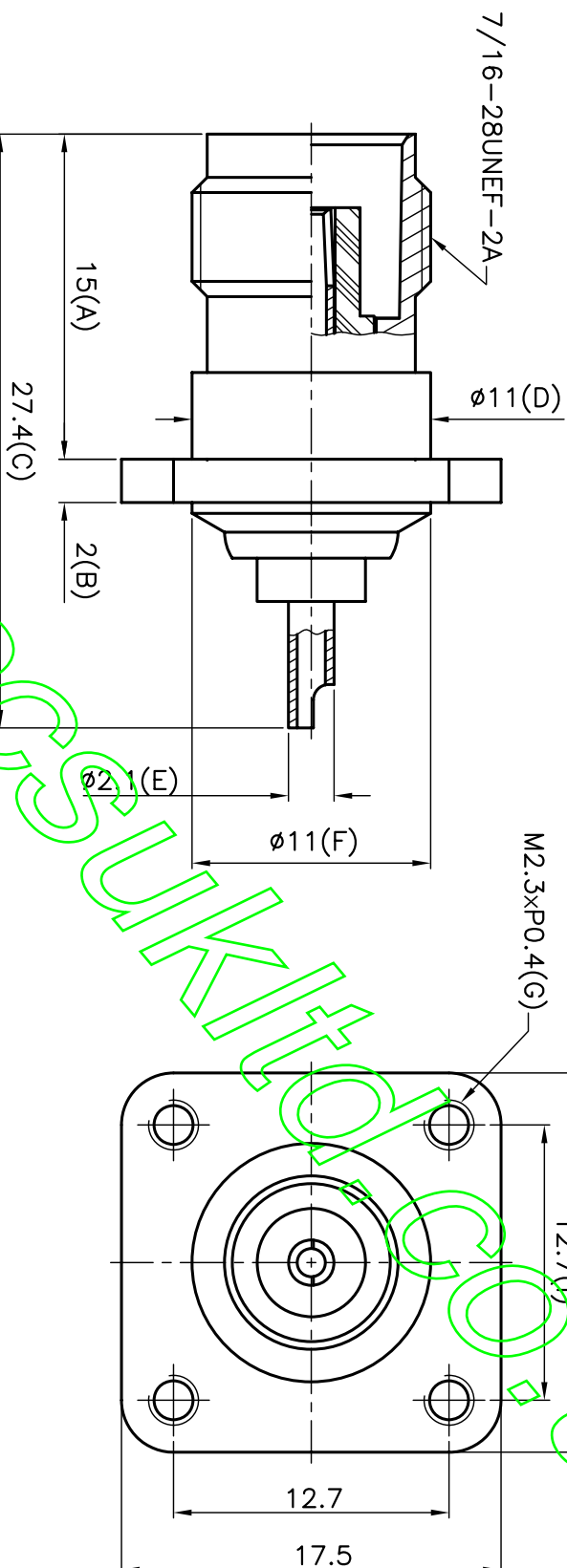


ISS	DESCRIPTION \ DATE

REVISIONS



**CONNECTORS CABLES**  
**CHRS**  
**SPECIALISTS LTD.**

TITLE: TNC FEMALE CHASSIS MOUNT

PART NO: TPAUSS50

DRAWING NO: 037

APRD:	UNLESS OTHERWISE SPECIFIED TOLERANCES
CHKD:	0.5-6 = ±0.2
DR:	>6-30 = ±0.4
	>30-120 = ±0.6
	>120-315 = ±1.0
	>315-1000 = ±1.6
	ANGLES = ±1.5°

DATE: 05/07/07"

SHEET: .

UNIT: mm

SCALE: 3/1

NO.	DESCRIPTION	MATERIAL	FINISH
	BODY	BRASS	NICKEL
	PANEL	BRASS	NICKEL
	PIN	PHOSPHOR BRONZE	GOLD
	INSULATOR	DELRIN	WHITE
	BODY	BRASS	NICKEL
		MATERIAL	FINISH