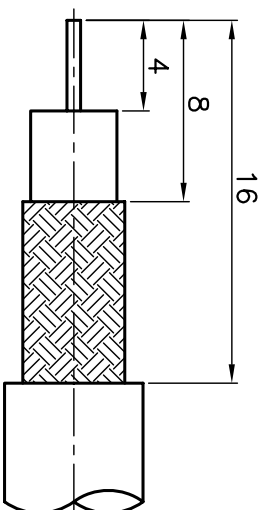
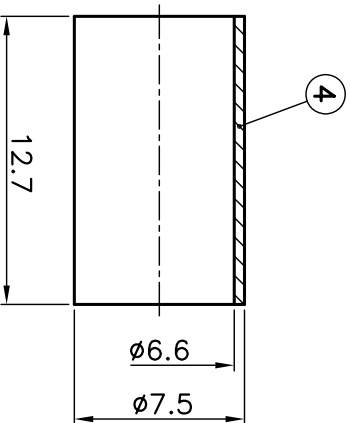
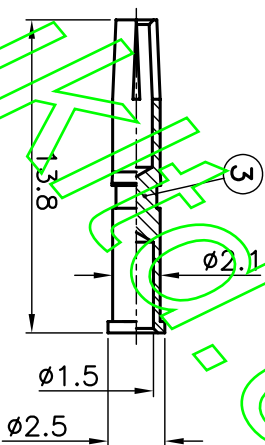
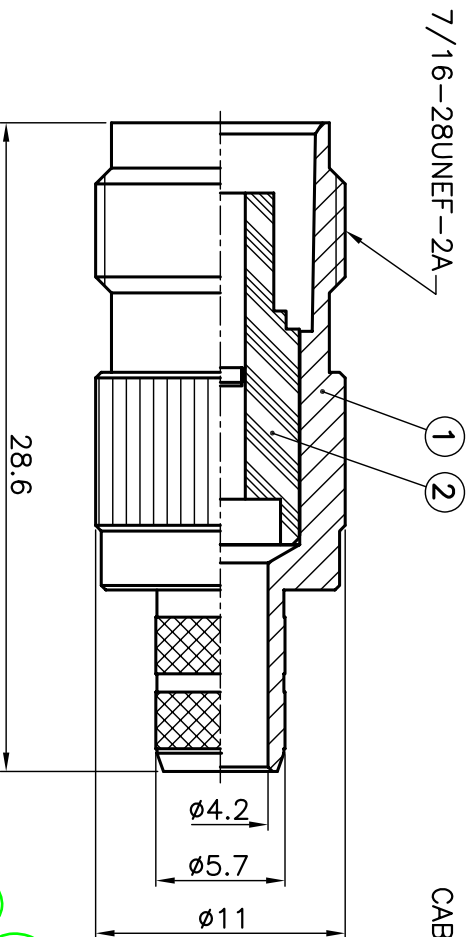


ISS	DESCRIPTION \ DATE

REVISIONS



RECOMMENDED
CABLE STRIPPING DIM'S



1. CRIMPED FERRULE
HEX CRIMP SIZE .256"
2. CRIMPED CONTACT PIN
HEX CRIMP SIZE .068"

CONNECTORS CABLES
CRS
SPECIALISTS LTD

TITLE: TNC FEMALE CRIMP
(FOR LMR240)

PART NO: TJCR240

DRAWING NO:

APRD:	UNLESS OTHERWISE SPECIFIED TOLERANCES
CHKD:	0.5-6 = ±0.2
DR:	>6-30 = ±0.4
	>30-120 = ±0.6
	>120-315 = ±1.1
	>315-1000 = ±1.6
	ANGLES = ±5°

DATE: 01/15/08"	UNIT: mm
SHEET: .	SCALE: 3/1

NO.	DESCRIPTION	MATERIAL	FINISH	SGS REPORT NO
1	BODY	BRASS	NICKEL	KA/2005/10527 \ KA/2005/60362
2	INSULATOR	DELIRIN	WHITE	KA/2005/10527 \ KA/2005/30993
3	CONTACT PIN	BRASS	GOLD	KA/2005/10527 \ KA/2005/30993
4	FERRULE	BRASS	NICKEL	KA/2005/10527 \ KA/2005/60362

www.ccsnyk.com