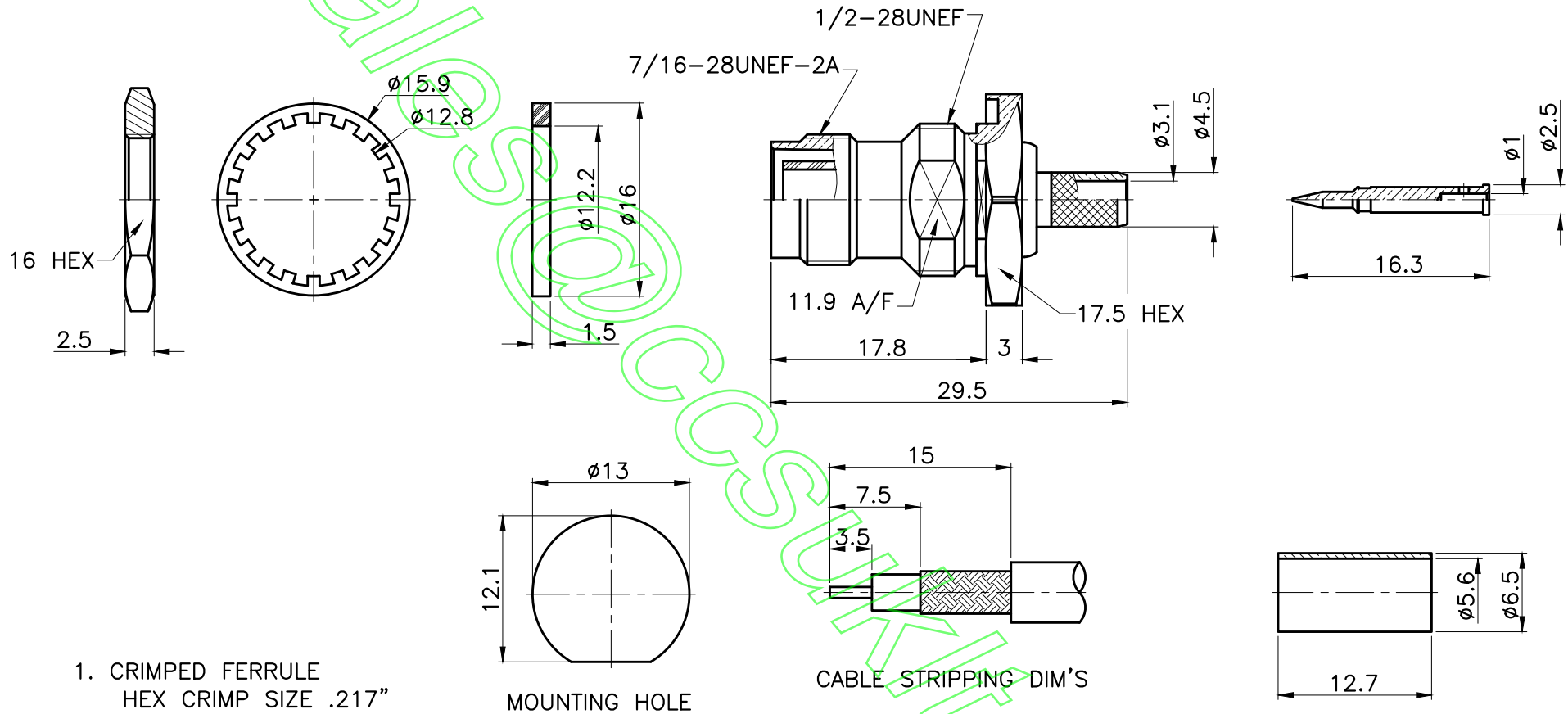


REVISIONS	
ISS	DESCRIPTION \ DATE

RoHS COMPLIANT



1. CRIMPED FERRULE  
HEX CRIMP SIZE .217"
2. CRIMPED CONTACT PIN  
HEX CRIMP SIZE .068"

MOUNTING HOLE

CABLE STRIPPING DIM'S

CONNECTORS CABLES



SPECIALISTS LTD.

TITLE: R/P TNC FEMALE BULKHEAD CRIMP  
(FOR RG58/U)

PART NO: . TBJCR58R 055

DRAWING NO:

APRD:	UNLESS OTHERWISE SPECIFIED TOLERANCES 0.5-6 = ±0.2 >6-30 = ±0.4 >30-120 = ±0.6 >120-315 = ±1 >315-1000 = ±1.6 ANGLES = ±5°	NUT	BRASS	NICKEL
CHKD:		WASHER	STEEL	NICKEL
DR:		GASKET	RUBBER	RED
DATE: 08/09/13"	UNIT: mm	FERRULE	BRASS	NICKEL
SHEET: .	SCALE: 2/1	CONTACT PIN	BRASS	GOLD
		BODY	BRASS	NICKEL
		INSULATOR	TEFLON	WHITE
		BODY	BRASS	NICKEL
		NO. DESCRIPTION	MATERIAL	FINISH