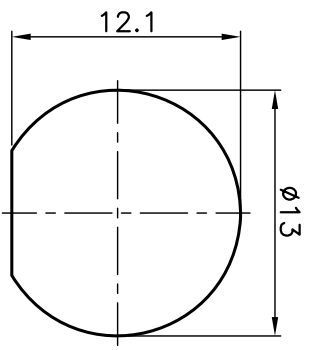
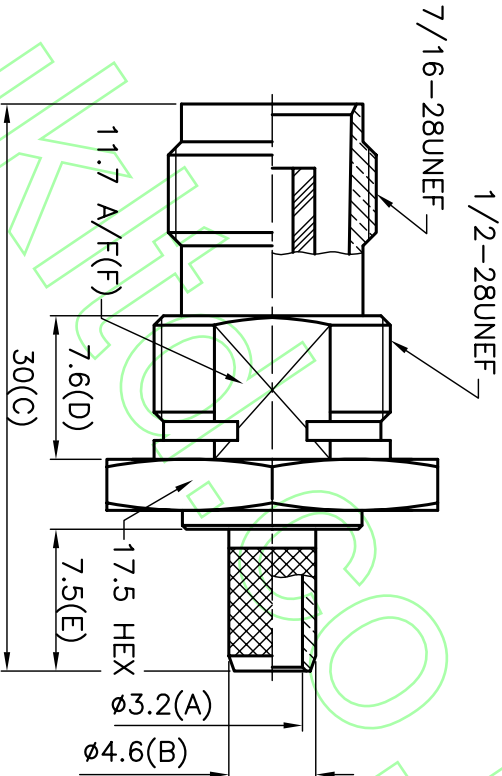
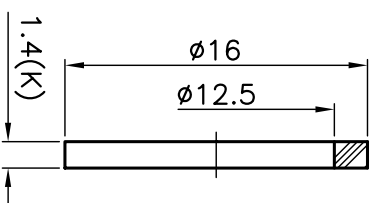
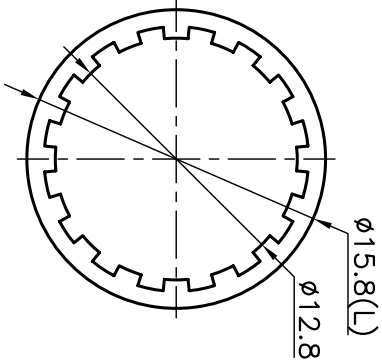
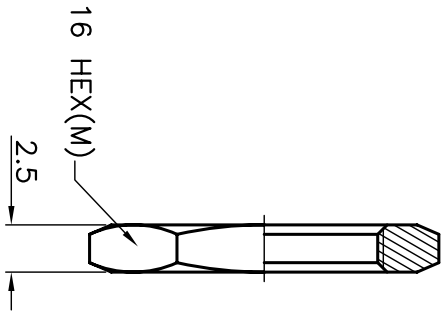


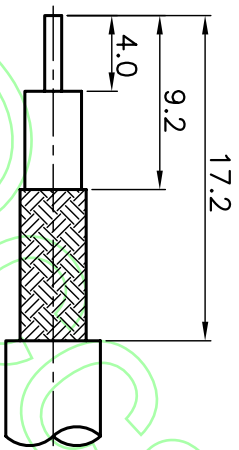
ISS	DESCRIPTION	DATE

REVISIONS

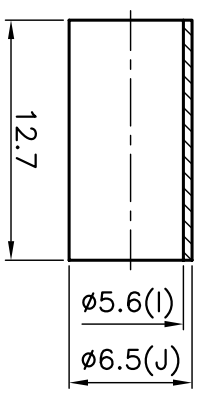
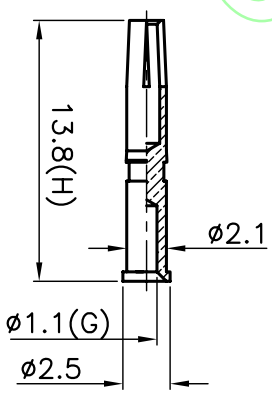
RoHS COMPLIANT



PANEL HOLE



RECOMMENDED
CABLE STRIPPING DIM'S



CONNECTIONS CABLES
SPECIALISTS LTD.

TITLE: BNC FEMALE BULKHEAD CRIMP
(FOR RG58)

PART NO: TBJCR58

DRAWING NO: 030

APRD:	UNLESS OTHERWISE SPECIFIED TOLERANCES
CHKD:	0.5-6 = ±0.2
DR:	>6-30 = ±0.4
	>30-120 = ±0.6
	>120-315 = ±1.0
	>315-1000 = ±1.6
	ANGLES = ±1.5°

DATE: 06/24/11"	UNIT: mm
SHEET: .	SCALE: 2.5/1

NO.	DESCRIPTION	MATERIAL	FINISH
	NUT	BRASS	NICKEL
	WASHER	STEEL	NICKEL
	GASKET	RUBBER	RED
	FERRULE	BRASS	NICKEL
	CONTACT PIN	BRASS	GOLD
	LOCK WASHER	BRASS	NICKEL
	INSULATOR	DELRI	WHITE
	BODY	BRASS	NICKEL
		MATERIAL	FINISH

ISO 9001 certificate