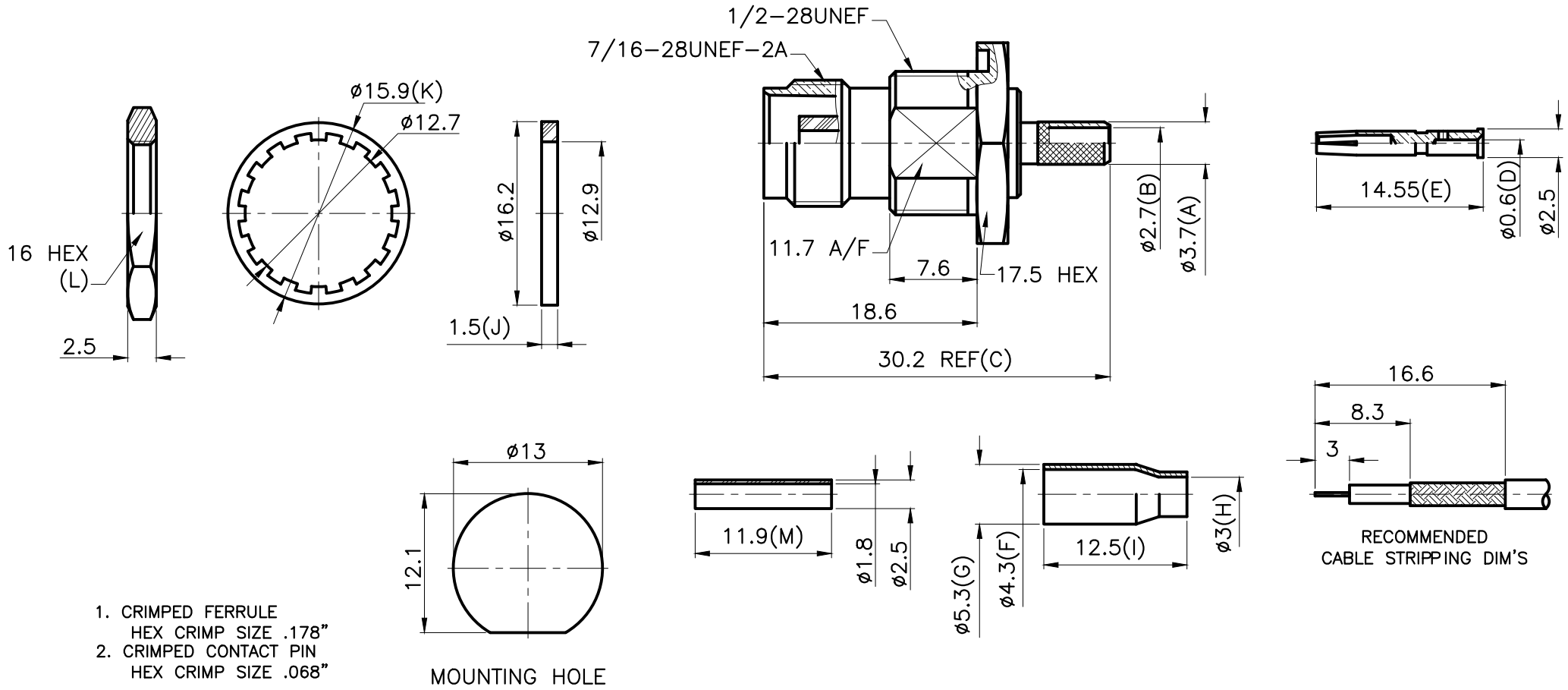


REVISIONS	
ISS	DESCRIPTION \ DATE

RoHS COMPLIANT



1. CRIMPED FERRULE
HEX CRIMP SIZE .178"
2. CRIMPED CONTACT PIN
HEX CRIMP SIZE .068"

MOUNTING HOLE

RECOMMENDED
CABLE STRIPPING DIM'S

- NOTES: FINISH (PLATING THICKNESS IN MICRO-INCHES)
1. BRASS PER QQ-B-626
 2. NICKEL PL 70 MIN THICK OVER COPPER STRIKE
 3. GOLD FLUSH OVER NICKEL PL 70 MIN THICK OVER COPPER STRIKE
 4. BRASS JIS H 3250, C 2700

CONNECTORS CABLES



SPECIALISTS LTD.

TITLE: TNC FEMALE BULKHEAD CRIMP (FOR RG316/U, RG174/U)		APRD:	UNLESS OTHERWISE SPECIFIED TOLERANCES 0.5-6 = ±0.2 >6-30 = ±0.4 >30-120 = ±0.6 >120-315 = ±1 >315-1000 = ±1.6 ANGLES = ±5°	NUT	NOTE 1	NOTE 2
PART NO: TBJCR174		CHKD:		WASHER	SS41	NOTE 2
DRAWING NO:		DR:		GASKET	RUBBER	RED
DATE: 07/14/22"		UNIT: mm	FERRULE	NOTE 4	NOTE 2	
SCALE: 2/1		NO.	RING	DELIN	WHITE	
		DESCRIPTION	CONTACT PIN	NOTE 1	NOTE 3	
			INSULATOR	DELIN	WHITE	
			BODY	NOTE 1	NOTE 2	
				MATERIAL	FINISH	