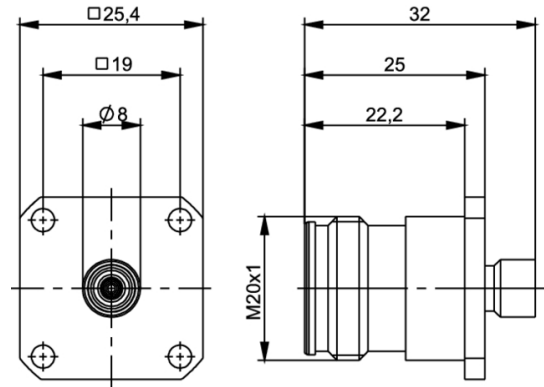


order number: J01441A0003

4.3-10 panel jack, G10 (UT-141)



Technical Attributes	
Cable group; cable	G10 (UT-141)
Assembly	E05
Mount. dim.	Z151