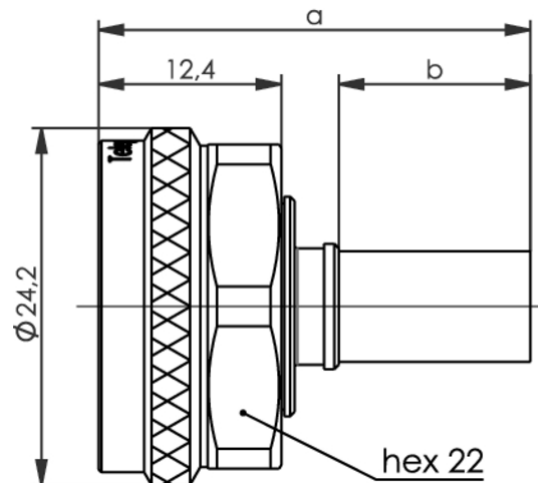


order number: J01440A3010

4.3-10 straight plug crimp, G37 (2.7/7.25); G55 (2.7/7.25 Flex), push pull type, crimp/crimp



Technical Attributes	
Cable group; cable	G37 (2.7/7.25); G55 (2.7/7.25 Flex)
Type	Push Pull Type
Dimensions	a=32.5; b=14.5
Assembly	B3426
Crimp die	N01003A0030