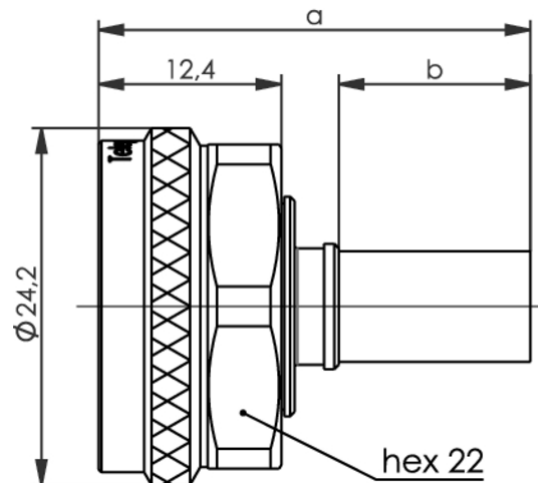


order number: J01440A3002

4.3-10 straight plug crimp, G30 (1.5/3.8); G54 (1.5/3.8 Flex), Push Pull Type, crimp/crimp



Technical Attributes	
Cable group; cable	G30 (1.5/3.8); G54 (1.5/3.8 Flex)
Type	Push Pull Type
Dimensions	a=29.3; b=13
Assembly	B3931
Crimp die	N01003A0056