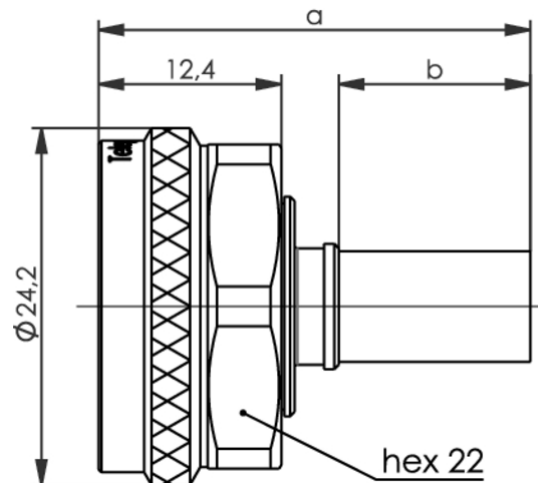


order number: J01440A0002

4.3-10 straight plug crimp, G30 (1.5/3.8); G54 (1.5/3.8 Flex), screw type, crimp/crimp



Technical Attributes	
Cable group; cable	G30 (1.5/3.8); G54 (1.5/3.8 Flex)
Type	Screw Type
Dimensions	a=29.3; b=13
Assembly	B3931
Crimp die	N01003A0056