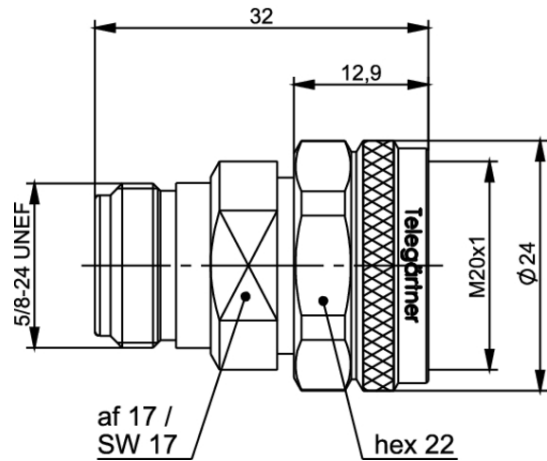


order number: J01027A0024

Adaptor N to 4.3-10, f-m, push pull type



Technical Attributes	
Remarks	f-m
Type	Push Pull Type
Return Loss	40 dB/1 GHz; 35 dB/4 GHz; 28 dB/6 GHz