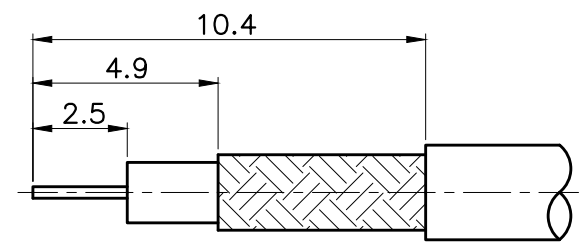
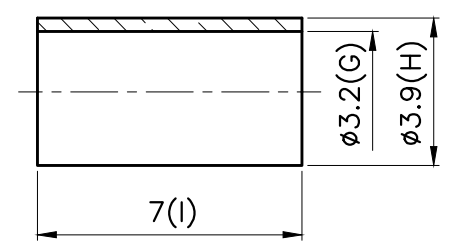
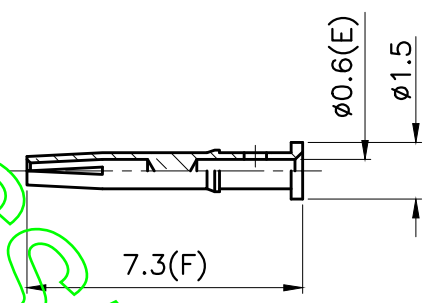
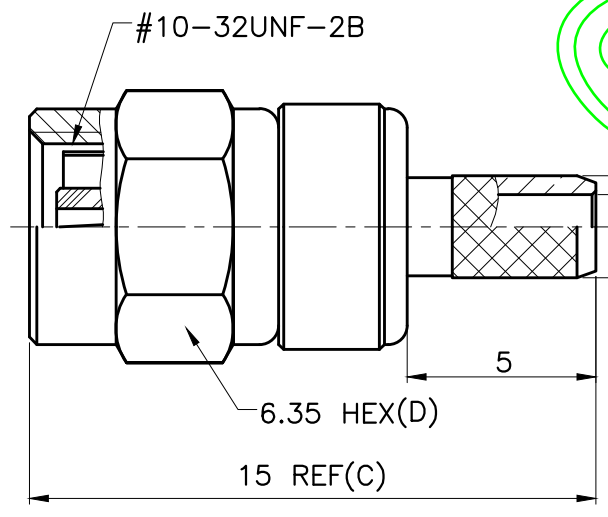


ISS	REVISIONS
	DESCRIPTION \ DATE

RoHS COMPLIANT



RECOMMENDED
CABLE STRIPPING DIM'S



1. CRIMPED FERRULE
HEX CRIMP SIZE .128"
2. CONTACT PIN TO SOLDER



TITLE: SMC MALE CRIMP(FEMALE PIN)
(FOR RG316, RG174)

PART NO: SMCPCR174

DRAWING NO: 055

APRD:
CHKD:
DR:

UNLESS OTHERWISE
SPECIFIED TOLERANCES
0.5-6 = ±0.2
>6-30 = ±0.4
>30-120 = ±0.6
>120-315 = ±1
>315-1000 = ±1.6
ANGLES = ±5°

DATE: 03/15/11"

UNIT: mm

SHEET: .

SCALE: 5/1

NO.	DESCRIPTION	MATERIAL	FINISH
	FERRULE	BRASS	GOLD
	CONTACT PIN	BERYLLIUM COPPER	GOLD
	SHELL	BRASS	GOLD
	BRAID HOLDER	BRASS	GOLD
	INSULATOR	TEFLON	WHITE
	BODY	BRASS	GOLD