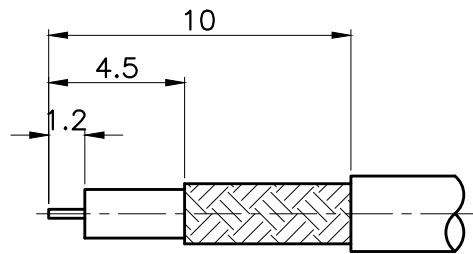
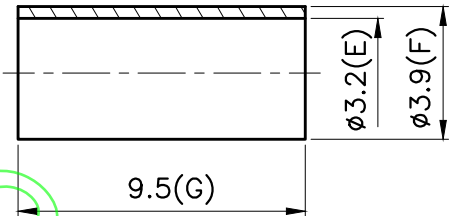
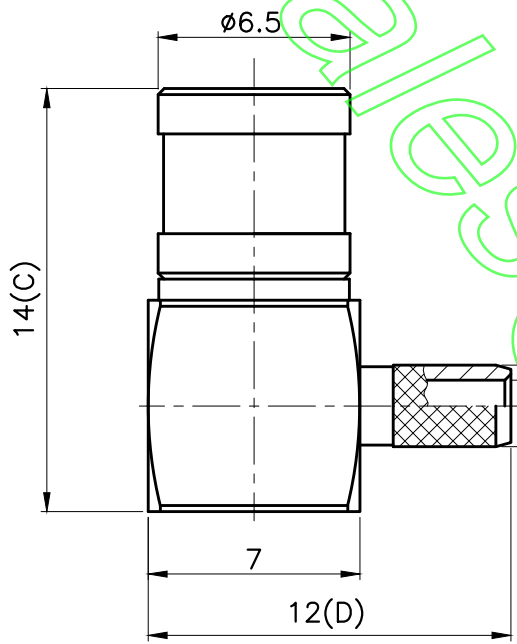
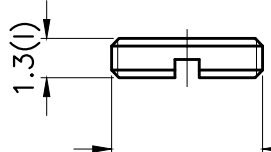
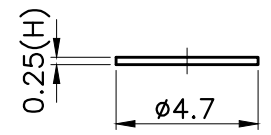


REVISIONS		
ISS	DESCRIPTION	DATE

RoHS COMPLIANT



RECOMMENDED
CABLE STRIPPING DIM'S



1. CRIMPED FERRULE
HEX CRIMP SIZE .128"
2. CONTACT PIN TO SOLDER



TITLE: SMB MALE R/A CRIMP
(FEMALE CONTACT PIN)(FOR RG174, 316)

PART NO: .SMBPRACS174

DRAWING NO:

APRD:
CHKD:
DR:

UNLESS OTHERWISE
SPECIFIED TOLERANCES
0.5-6 = ±0.2
>6-30 = ±0.4
>30-120 = ±0.6
>120-315 = ±1
>315-1000 = ±1.6
ANGLES = ±5°

DATE: 02/08/12" UNIT: mm

SHEET: . SCALE: 4/1

	FERRULE	BRASS	GOLD
	NUT	BRASS	GOLD
	INSULATOR COVER	DELTRIN	WHITE
	BODY	BRASS	GOLD
	CONTACT PIN	BERYLLIUM COPPER	GOLD
	INSULATOR	TEFLON	WHITE
	BODY	BRASS	GOLD
	SHELL	BRASS	GOLD
	RING	BERYLLIUM COPPER	GOLD
NO.	DESCRIPTION	MATERIAL	FINISH