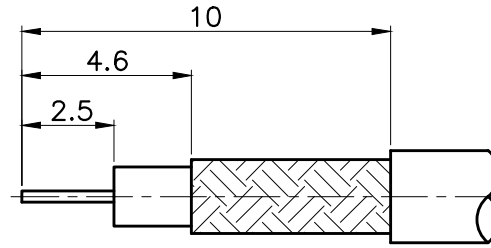
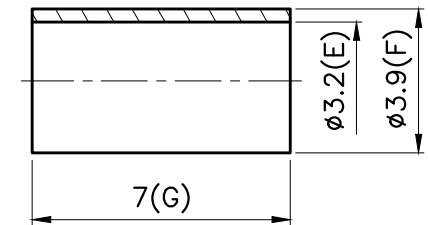
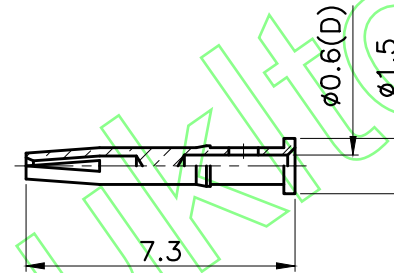
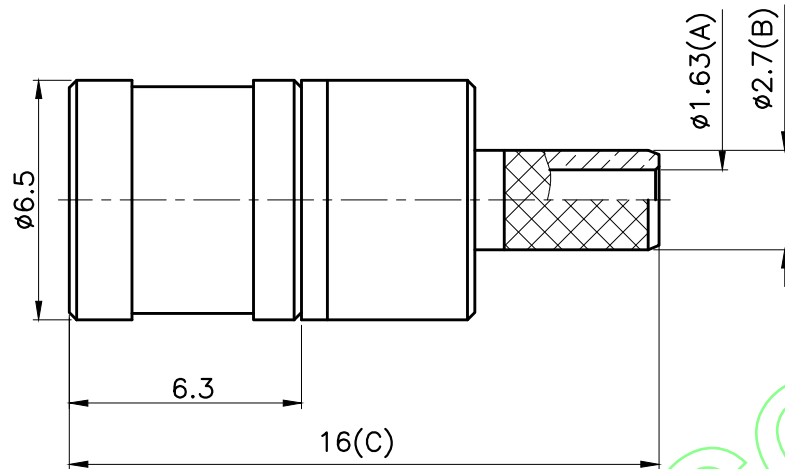


REVISIONS		
ISS	DESCRIPTION	DATE



RoHS COMPLIANT

RECOMMENDED
CABLE STRIPPING DIM'S



1. CRIMPED FERRULE
HEX CRIMP SIZE .128"
2. CONTACT PIN TO SOLDER

CONNECTORS CABLES



SPECIALISTS LTD.

TITLE: SMB PLUG CRIMP
(FEMALE CONTACT PIN)(FOR RG174/U)

PART NO: SMBPCR174

055

APRD:	UNLESS OTHERWISE SPECIFIED TOLERANCES 0.5-6 = ±0.2 >6-30 = ±0.4 >30-120 = ±0.6 >120-315 = ±1 >315-1000 = ±1.6 ANGLES = ±5°			
CHKD:		FERRULE	BRASS	GOLD
DR:		CONTACT PIN	BERYLLIUM COPPER	GOLD
DATE: 10/20/15"	UNIT: mm	BODY	BRESS	GOLD
SHEET: .	SCALE: 5/1	INSULATOR	TEFLON	WHITE
		BODY	BRESS	GOLD
		SHELL	BRESS	GOLD
		INNER RETAINING RING	BERYLLIUM COPPER	GOLD
		NO. DESCRIPTION	MATERIAL	FINISH

DRAWING NO:

ISO 9001 certificate