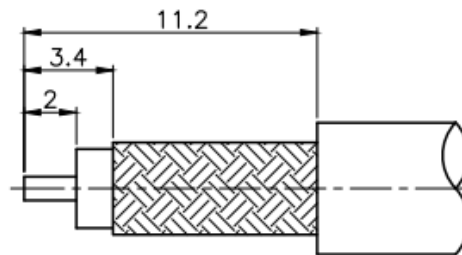
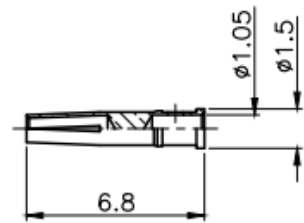
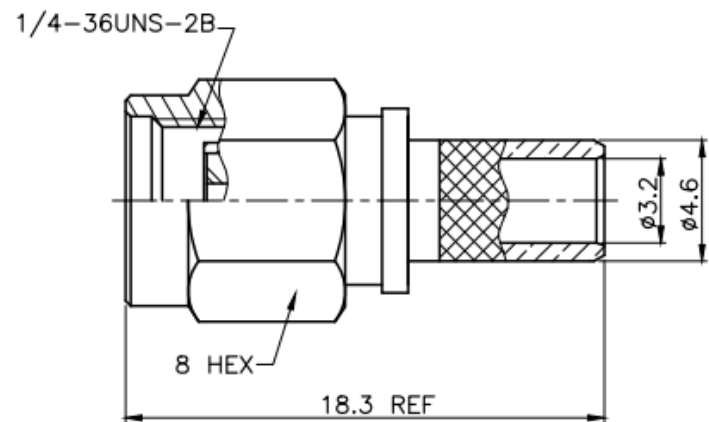


REVISIONS		
ISS	DESCRIPTION	DATE



RoHS COMPLIANT

RECOMMENDED
CABLE STRIPPING DIM'S



1. CRIMPED FERRULE
HEX CRIMP SIZE .213"
2. CONTACT PIN TO SOLDER



TITLE: SMA MALE R/P CRIMP
(FOR RG58/U)

PART NO: SMAPCR58R 029

DATE: 06/24/20"

UNIT: mm

DRAWING NO:

SCALE: 4/1

APRD:	UNLESS OTHERWISE SPECIFIED TOLERANCES 0.5-6 = ±0.2 >6-30 = ±0.4 >30-120 = ±0.6 >120-315 = ±1 >315-1000 = ±1.6 ANGLES = ±5°	FERRULE	BRASS	SILVER
CHKD:		PIN	PHOSPHOR BRONZE	GOLD
DR:		SHELL	BRASS	GOLD
		C RING	STEEL	NONE
		GASKET	RUBBER	RED
		INSULATOR	TEFLON	WHITE
		BODY	BRASS	GOLD
		NO. DESCRIPTION	MATERIAL	FINISH