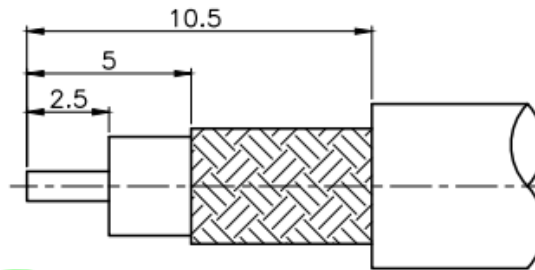
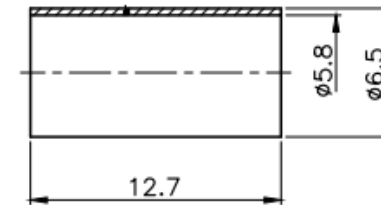
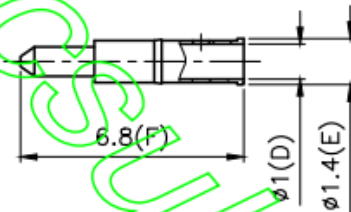
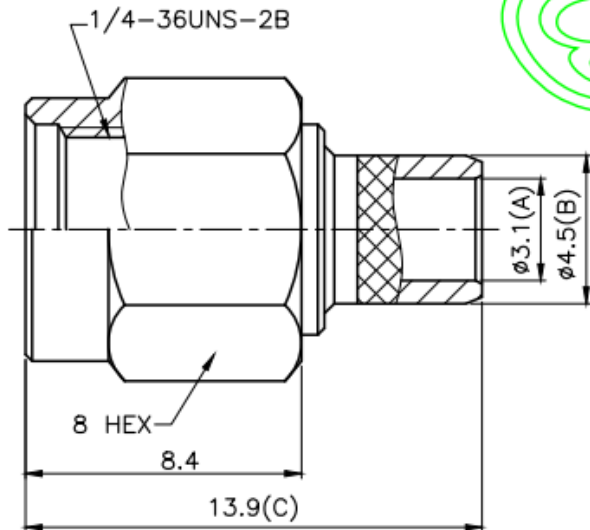


| REVISIONS |                    |
|-----------|--------------------|
| ISS       | DESCRIPTION \ DATE |
|           |                    |

RoHS COMPLIANT



RECOMMENDED  
CABLE STRIPPING DIM'S



1. CRIMPED FERRULE  
HEX CRIMP SIZE .213"
2. CONTACT PIN TO SOLDER



TITLE: SMA MALE CRIMP  
(FOR RG58/U)

PART NO: SMAPCR58

DRAWING NO:

APRD:

CHKD:

DR:

DATE: 04/30/09"

SHEET: .

UNLESS OTHERWISE  
SPECIFIED TOLERANCES  
0.5-6 = ±0.2  
>6-30 = ±0.4  
>30-120 = ±0.6  
>120-315 = ±1  
>315-1000 = ±1.6  
ANGLES = ±5°

UNIT: mm

SCALE: 5/1

| NO. | DESCRIPTION | MATERIAL   | FINISH |
|-----|-------------|------------|--------|
|     | FERRULE     | BRASS      | SILVER |
|     | CONTACT PIN | BRASS      | GOLD   |
|     | BODY        | BRASS      | GOLD   |
|     | INSULATOR   | TEFLON     | WHITE  |
|     | RING        | STAINLESS  | NONE   |
|     | GASKET      | S.L.RUBBER | RED    |
|     | SHELL       | BRASS      | GOLD   |
|     |             |            |        |