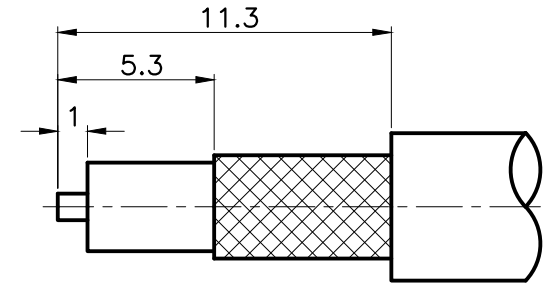
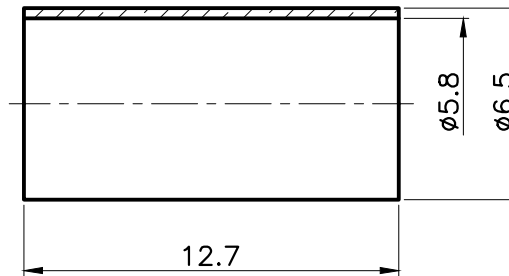
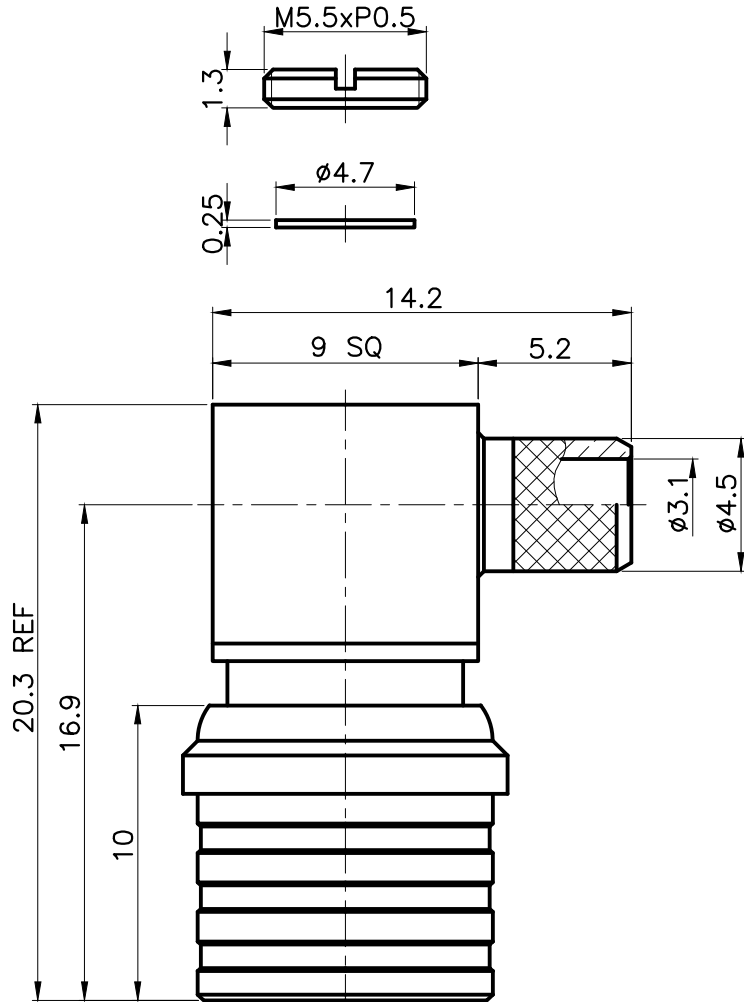


REVISIONS		
ISS	DESCRIPTION	DATE

RoHS COMPLIANT



RECOMMENDED  
CABLE STRIPPING DIM'S

1. CRIMPED FERRULE  
HEX CRIMP SIZE .217"

CONNECTORS CABLES



SPECIALISTS LTD.

APRD:	UNLESS OTHERWISE SPECIFIED TOLERANCES 0.5-6 = ±0.2 >6-30 = ±0.4 >30-120 = ±0.6 >120-315 = ±1 >315-1000 = ±1.6 ANGLES = ±5°
CHKD:	
DR:	

TITLE: QMA MALE RIGHT ANGLE CRIMP  
(FOR RG223)

PART NO: QLAPRACR223 055

DRAWING NO:

DATE: 08/13/18"

SHEET: .

UNIT: mm

SCALE: 4/1

	O RING	SILICONE	RED
	FERRULE	BRASS	NICKEL
	SHELL	BRASS	NICKEL
	PRESS BODY	BRASS	NICKEL
	BODY	BRASS	NICKEL
	INSULATOR	TEFLON	WHITE
	CONTACT PIN	BRASS	GOLD
	CABLE BODY	BRASS	NICKEL
	INSULATOR COVER	DELTRIN	
	PRESS WASHER	BRASS	NICKEL
NO.	DESCRIPTION	MATERIAL	FINISH