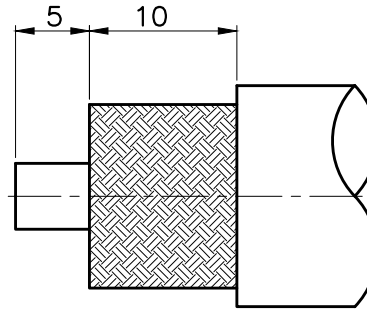
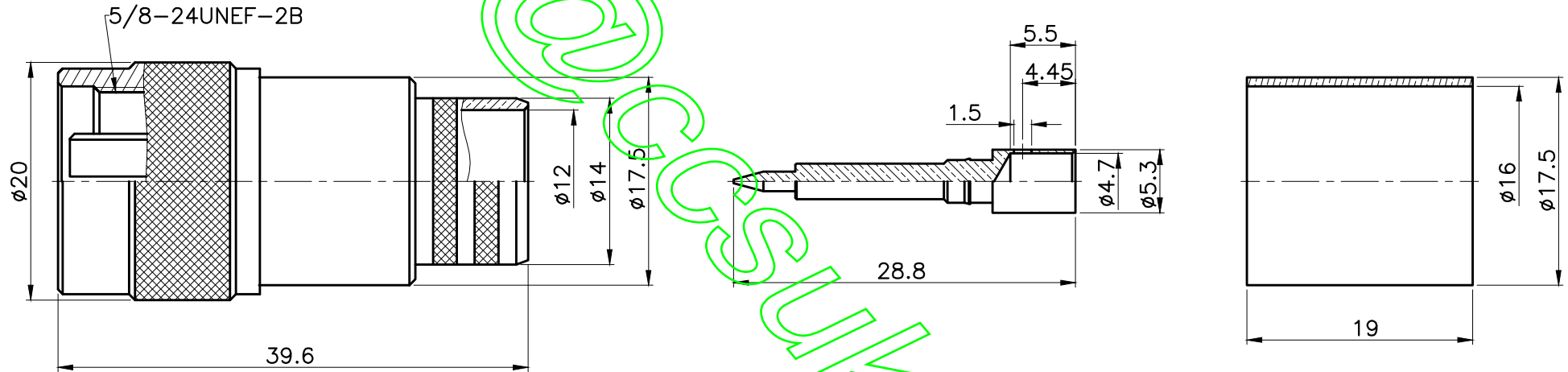


REVISIONS	
ISS	DESCRIPTION \ DATE

RoHS COMPLIANT



CABLE STRIPPING DIM'S



1. CRIMPED FERRULE  
HEX CRIMP SIZE .61"
2. CRIMPED CONTACT PIN  
HEX CRIMP SIZE .186

CONNECTORS CABLES



SPECIALISTS LTD.

TITLE: N MALE CRIMP  
(FOR LMR-600)

PART NO: NPCR600

DR. NO:

029

APRD:	UNLESS OTHERWISE SPECIFIED TOLERANCES 0.5-6 = ±0.2 >6-30 = ±0.4 >30-120 = ±0.6 >120-315 = ±1 >315-1000 = ±1.6 ANGLES = ±5°	FERRULE	BRASS	NICKEL
CHKD:		CONTACT PIN	BRASS	GOLD
DR:		SHELL	BRASS	NICKEL
DATE: 04/24/13"	UNIT: mm	C RING	BRASS	NONE
SHEET: .	SCALE: 2/1	GASKET	RUBBER	RED
		INSULATOR	TEFLON	WHITE
		BODY	BRASS	NICKEL
		NO. DESCRIPTION	MATERIAL	FINISH