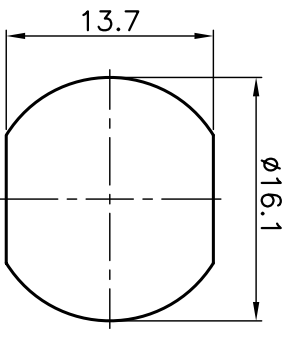
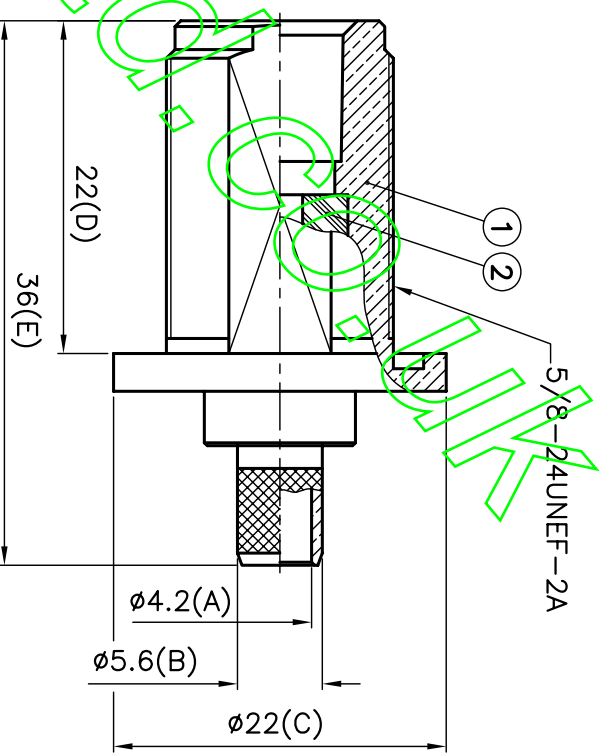
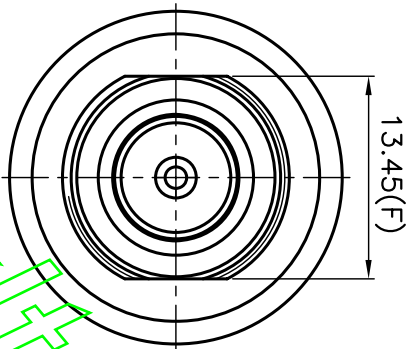
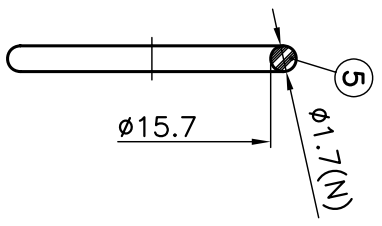
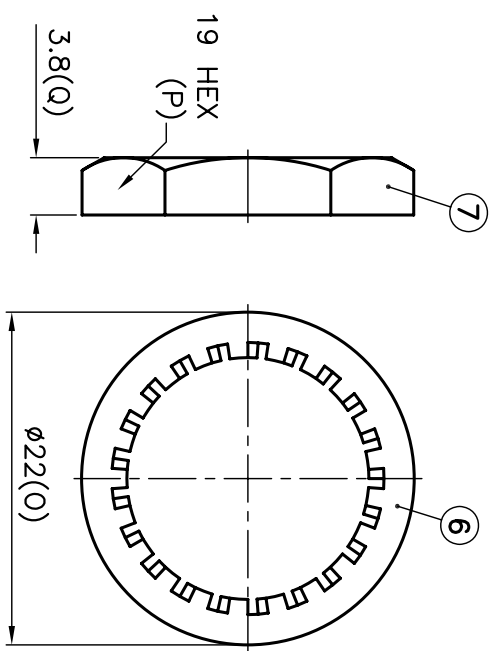
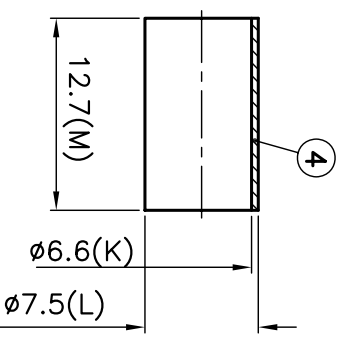
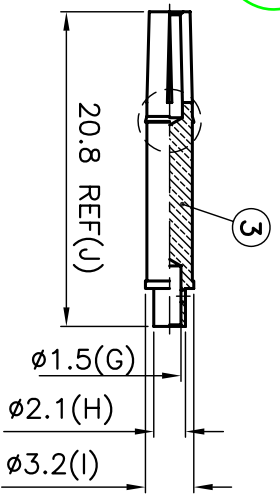
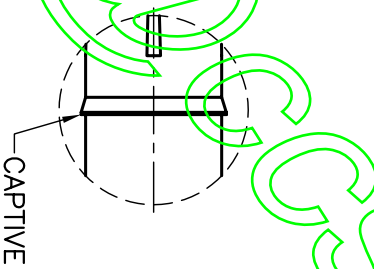


ISS	DESCRIPTION	DATE

RoHS COMPLIANT



PANEL HOLE



CONNECTORS CABLES
BOSS
SPECIALISTS LTD

TITLE: N FEMALE BULKHEAD CRIMP
(FOR LMR240)

PART NO: NBJCR240

DRAWING NO: 030

APRD:	UNLESS OTHERWISE SPECIFIED TOLERANCES
CHKD:	0.5-6 = ±0.2
DR:	>6-30 = ±0.4
	>30-120 = ±0.6
	>120-315 = ±1.1
	>315-1000 = ±1.6
	ANGLES = ±5°

DATE: 08/24/10"	UNIT: mm
SHEET: .	SCALE: 2/1

NO.	DESCRIPTION	MATERIAL	FINISH
1	BODY	BRASS	NICKEL
2	INSULATOR	TEFLON	WHITE
3	CONTACT PIN	BRASS	GOLD
4	FERRULE	BRASS	NICKEL
5	GASKET	RUBBER	RED
6	WASHER	BRASS	NICKEL
7	NUT	BRASS	NICKEL