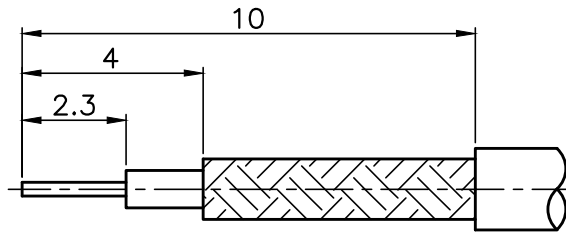
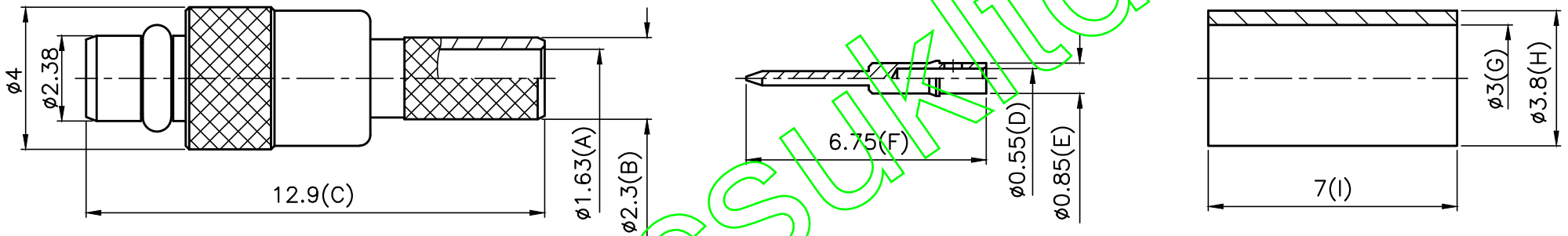


REVISIONS	
ISS	DESCRIPTION \ DATE



RECOMMENDED
CABLE STRIPPING DIM'S

RoHS COMPLIANT



1. CRIMPED FERRULE
HEX CRIMP SIZE .128"
2. CONTACT PIN TO SOLDER

CONNECTORS CABLES



TITLE: MMCX CRIMP PLUG
(FOR RG174/U, RG316/U)

PART NO: MMCXPCR174

055

DATE: 06/14/12"

UNIT: mm

DRAWING NO:

SHEET: .

SCALE: 6/1

APRD:	UNLESS OTHERWISE SPECIFIED TOLERANCES 0.5-6 = ±0.2 >6-30 = ±0.4 >30-120 = ±0.6 >120-315 = ±1 >315-1000 = ±1.6 ANGLES = ±5°			
CHKD:		FERRULE	BRASS	GOLD
DR:		CONTACT PIN	BRASS	GOLD
		BODY	BRASS	GOLD
		INSULATOR	TEFLON	WHITE
		BODY	BRASS	GOLD
		C RING	BERYLLIUM COPPER	GOLD
		NO. DESCRIPTION	MATERIAL	FINISH