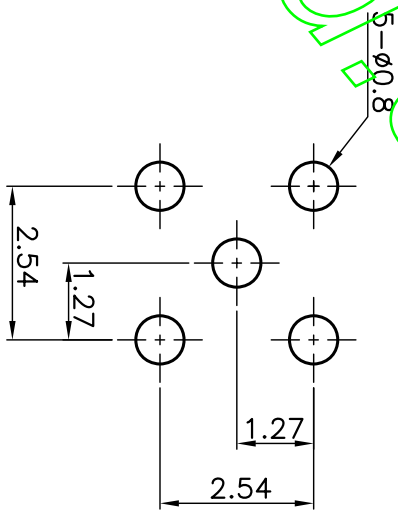
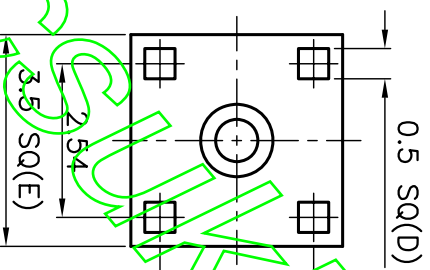
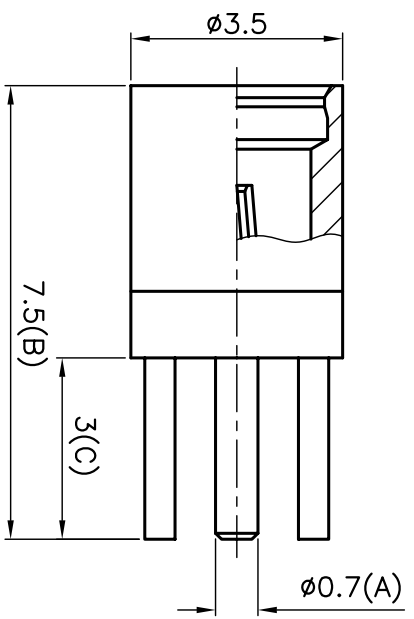


ISS	REVISIONS
	DESCRIPTION \ DATE

RoHS COMPLIANT



MOUNTING HOLE

CONNECTORS CABLES
OBBS
SPECIALISTS LTD.

TITLE: MMCX FEMALE PCB MOUNT

PART NO: MMCXJPCB50
DRAWING NO:

APRD:	UNLESS OTHERWISE SPECIFIED TOLERANCES 0.5-6 = ±0.2 >6-30 = ±0.4 >30-120 = ±0.6 >120-315 = ±1.0 >315-1000 = ±1.6 ANGLES = ±1.5°
CHKD:	
DR:	
DATE: 03/20/08"	
SHEET: .	UNIT: mm
	SCALE: 8/1

NO.	DESCRIPTION	MATERIAL	FINISH
	PIN	BERYLLIUM COPPER	GOLD
	INSULATOR	TEFLON	WHITE
	BODY	BRASS	GOLD
		MATERIAL	FINISH