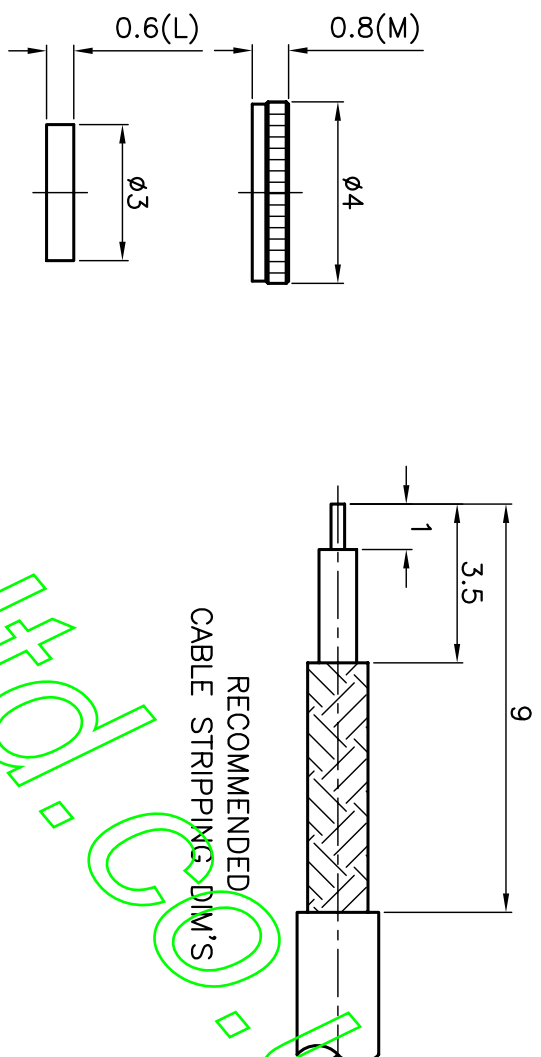
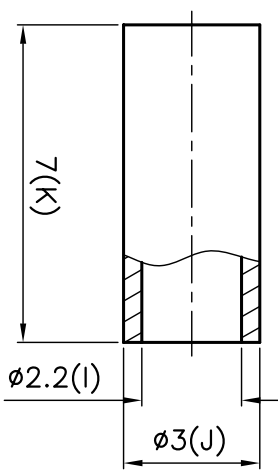
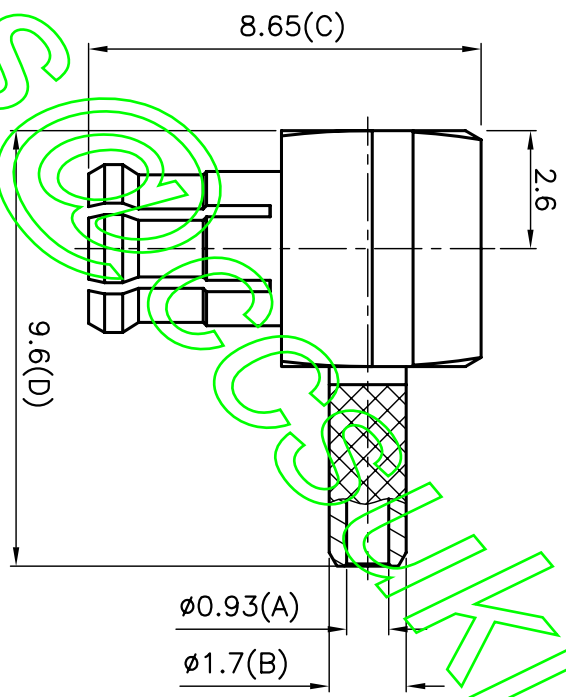
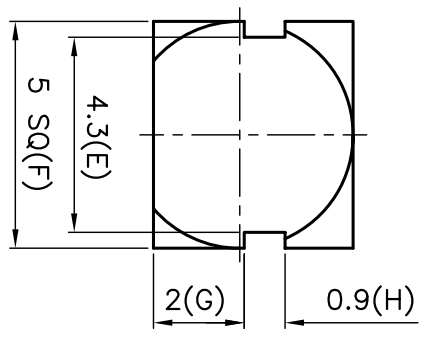


REVISIONS	
ISS	DESCRIPTION \ DATE

RoHS COMPLIANT



RECOMMENDED
CABLE STRIPPING DIM'S



1. CRIMPED FERRULE
HEX CRIMP SIZE .100"
2. CONTACT PIN TO SOLDER

CONNECTORS CABLES
HFS
SPECIALISTS LTD.

TITLE: MCX R/A CRIMP PLUG
(FOR RG178/U)

PART NO: MCXPRACR178
DRAWING NO: 055

APRD:	UNLESS OTHERWISE SPECIFIED TOLERANCES
CHKD:	0.5-6 = ±0.2
DR:	>6-30 = ±0.4
	>30-120 = ±0.6
	>120-315 = ±1.0
	>315-1000 = ±1.6
	ANGLES = ±1.5°

DATE: 01/10/12"	UNIT: mm
SHEET: .	SCALE: 6/1

FERRULE	INSULATOR	BODY	CENTER PIN	INSULATOR	COVER	DESCRIPTION	MATERIAL	FINISH
							BRASS	GOLD
							TEFLON	WHITE
							BERYLLIUM COPPER	GOLD
							BRASS	GOLD
							BRASS	GOLD
							TEFLON	WHITE
							BRASS	GOLD
							BRASS	GOLD