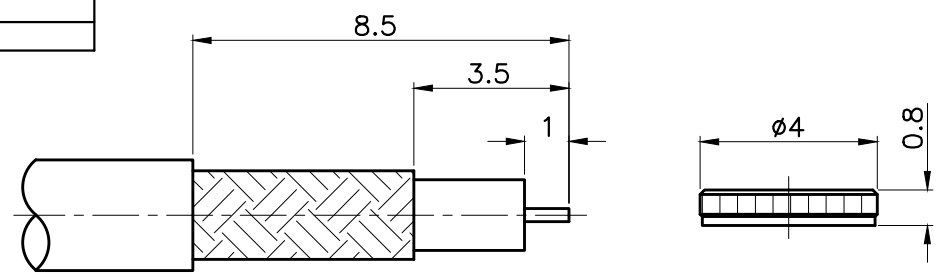
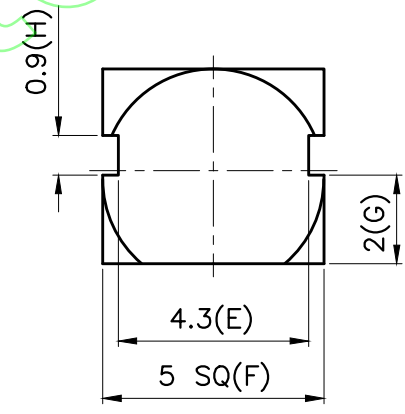
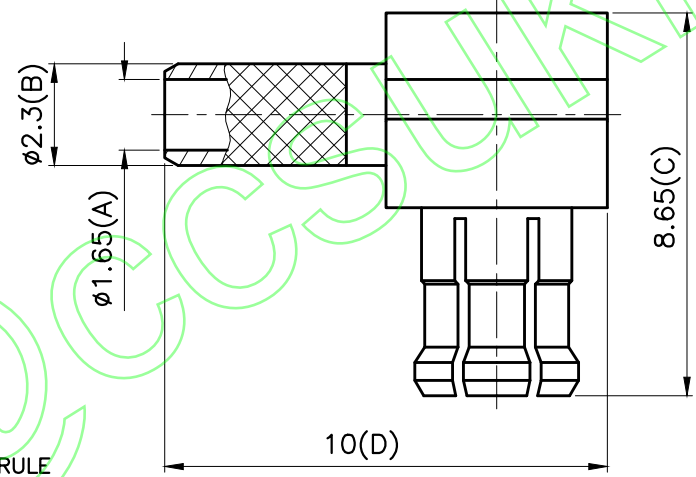
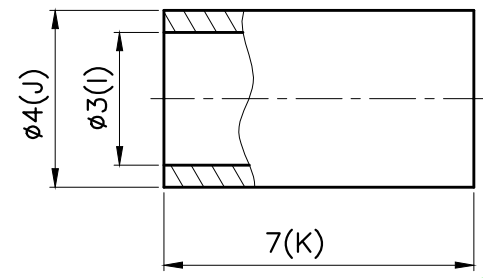
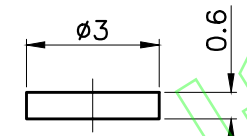
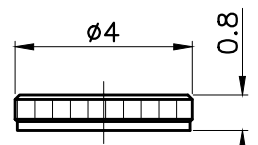


REVISIONS	
ISS	DESCRIPTION\DATE

RoHS COMPLIANT



RECOMMENDED  
CABLE STRIPPING DIM'S



1. CRIMPED FERRULE  
HEX CRIMP SIZE .128"
2. CONTACT PIN TO SOLDER

CONNECTORS CABLES



TITLE: MCX R/A CRIMP PLUG  
(FOR RG316/U, RG174/U)

PART NO: MCXPRACR174

DRAWING NO:

055

APRD:	UNLESS OTHERWISE SPECIFIED TOLERANCES 0.5-6 = ±0.2 >6-30 = ±0.4 >30-120 = ±0.6 >120-315 = ±1 >315-1000 = ±1.6 ANGLES = ±5°	FERRULE	BRASS	GOLD	KA/2005/10527\ KA/2005/30993
CHKD:		BODY 2	BERYLLIUM COPPER	GOLD	KA/2005/10525\ KA/2005/30993
DR:		INSULATOR	TEFLON	WHITE	KA/2005/50918
DATE: 07/20/06"	UNIT: mm	CENTER PIN	BRASS	GOLD	KA/2005/10527\ KA/2005/30993
SHEET: .	SCALE: 6/1	BODY 1	BRASS	GOLD	KA/2005/10527\ KA/2005/30993
		INSULATOR COVER	TEFLON	WHITE	KA/2005/50918
		COVER	BRASS	GOLD	KA/2005/10527\ KA/2005/30993
		DESCRIPTION	MATERIAL	FINISH	SGS REPORT NO