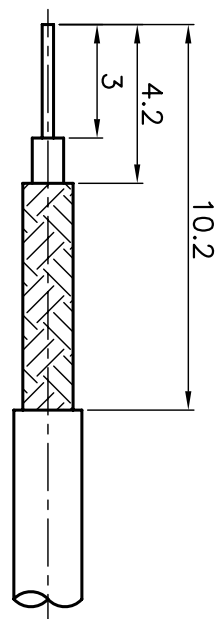
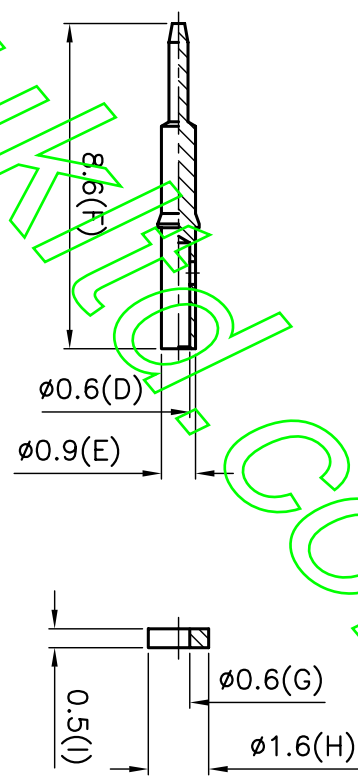
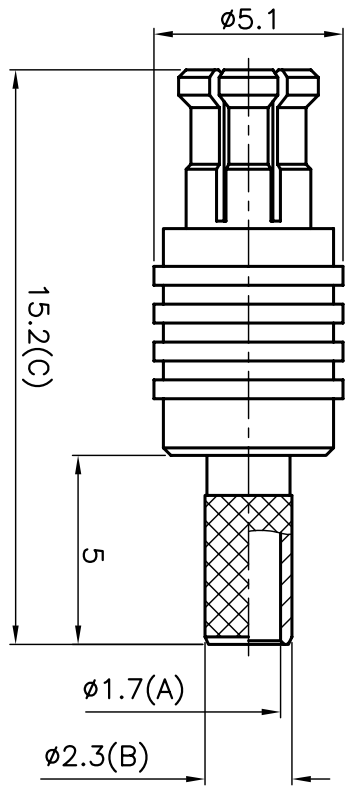


ISS	DESCRIPTION	DATE

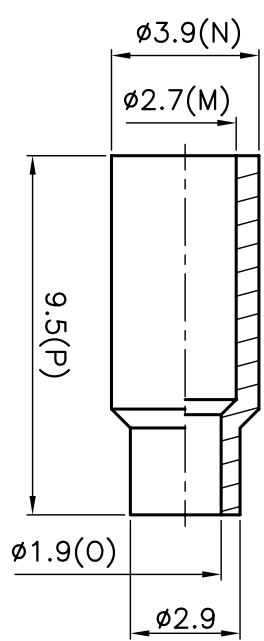
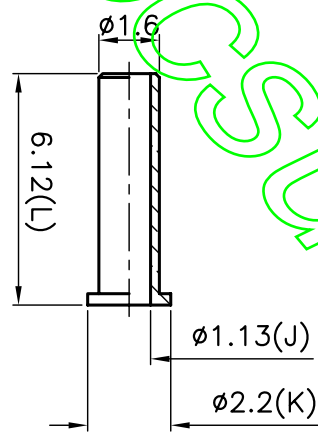
REVISIONS



CABLE STRIPPING DIM'S



1. CRIMPED FERRULE
HEX CRIMP SIZE :128"
2. CONTACT PIN TO SOLDER



TITLE: MCX PLUG CRIMP
(FOR RG178)

PART NO: MCXPCR178
DRAWING NO: 055

APRD:	UNLESS OTHERWISE SPECIFIED TOLERANCES
CHKD:	0.5-6 = ±0.2
DR:	>6-30 = ±0.4
	>30-120 = ±0.6
	>120-315 = ±1.0
	>315-1000 = ±1.6
	ANGLES = ±1.5°

DATE: 01/16/12"	UNIT: mm
SHEET: .	SCALE: 5/1

NO.	DESCRIPTION	MATERIAL	FINISH
	FERRULE	BRASS	GOLD
	SPACER	BRASS	GOLD
	INSULATOR	TEFLON	WHITE
	CONTACT PIN	BRASS	GOLD
	BODY	BRASS	GOLD
	INSULATOR	TEFLON	WHITE
	CONTACT BODY	BERYLLIUM COPPER	GOLD
	DESCRIPTION	MATERIAL	FINISH