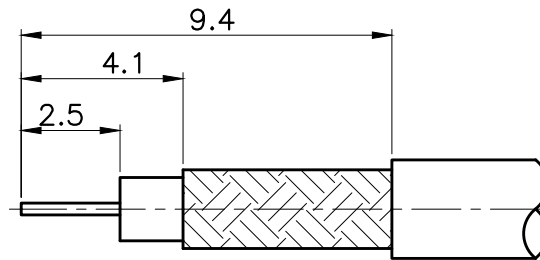


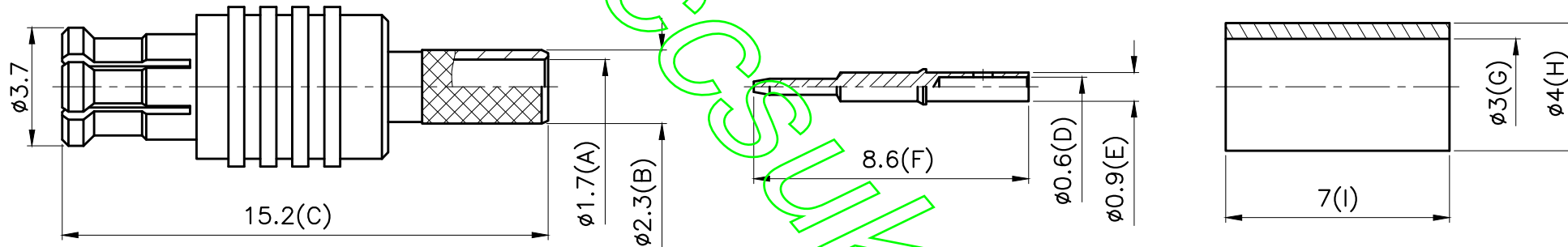
REVISIONS

ISS DESCRIPTION\DATE

RoHS COMPLIANT



CABLE STRIPPING DIM'S



1. CRIMPED FERRULE
HEX CRIMP SIZE .137"
2. CONTACT PIN TO SOLDER

CONNECTORS CABLES



SPECIALISTS LTD.

TITLE: MCX PLUG CRIMP
(FOR RG316, RG174)

PART NO: MCXPCR174

DRAWING NO:

055

SHEET: .

APRD:

CHKD:

DR:

DATE: 04/20/12"

UNIT: mm

SCALE: 5/1

UNLESS OTHERWISE SPECIFIED TOLERANCES

- 0.5-6 = ±0.2
- >6-30 = ±0.4
- >30-120 = ±0.6
- >120-315 = ±1
- >315-1000 = ±1.6
- ANGLES = ±5°

NO.	DESCRIPTION	MATERIAL	FINISH
	FERRULE	BRASS	GOLD
	CONTACT PIN	BRASS	GOLD
	BODY	BRASS	GOLD
	INSULATOR	TEFLON	WHITE
	BODY	BERYLLIUM COPPER	GOLD