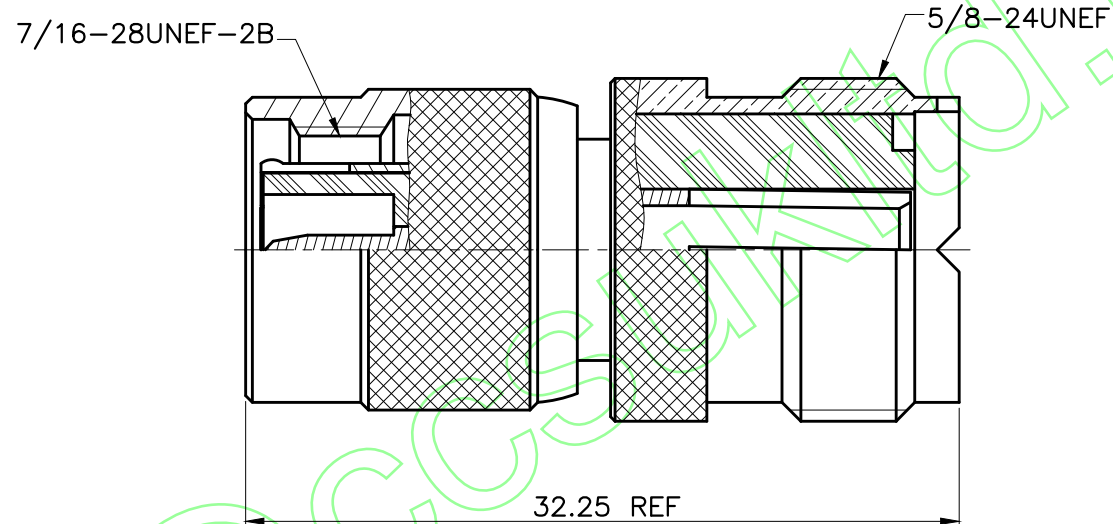


REVISIONS	
ISS	DESCRIPTION\DATE

RoHS COMPLIANT



CONNECTORS CABLES



SPECIALISTS LTD.

TITLE: TNC MALE TO UHF FEMALE

APRD:	UNLESS OTHERWISE SPECIFIED TOLERANCES 0.5-6 = ±0.2 >6-30 = ±0.4 >30-120 = ±0.6 >120-315 = ±1 >315-1000 = ±1.6 ANGLES = ±5°			
CHKD:				
DR:		CONTACT PIN	BRASS	GOLD
PART NO: TPUJA50	029	INSULATOR	DELRIN	WHITE
DRAWING NO:	DATE: 10/07/19"	BODY	BRASS	NICKEL
	SHEET: .	NO. DESCRIPTION	MATERIAL	FINISH
	UNIT: mm			
	SCALE: 3/1			