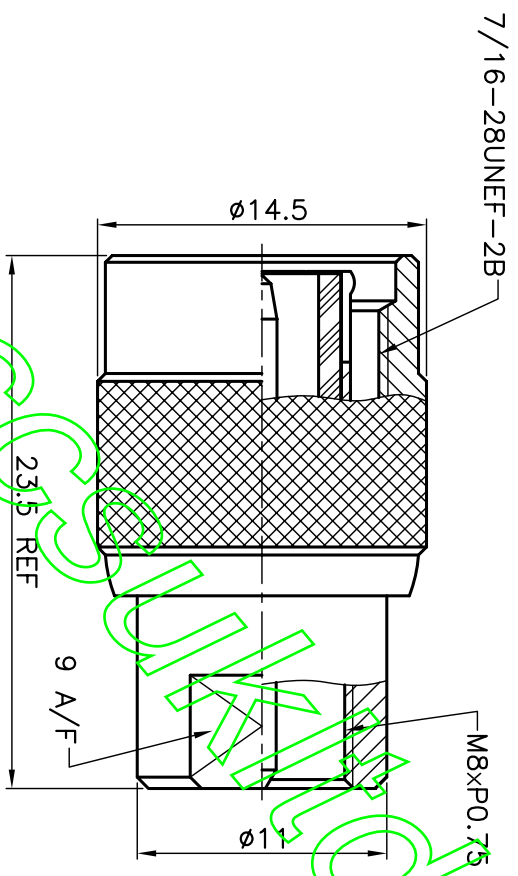


ISS	DESCRIPTION \ DATE

RoHS COMPLIANT



**CONNECTORS CABLES**  
**HBS**  
**SPECIALISTS LTD**

TITLE: FME MALE TO FNC MALE

PART NO: TPFMEPA50

DRAWING NO: 030

APRD:	UNLESS OTHERWISE SPECIFIED TOLERANCES
CHKD:	0.5-6 = ±0.2
DR:	>6-30 = ±0.4
DATE: 02/24/10"	>30-120 = ±0.6
SHEET: .	>120-315 = ±1.1
	>315-1000 = ±1.6
	ANGLES = ±5°

NO.	DESCRIPTION	MATERIAL	FINISH
	SHELL	BRASS	NICKEL
	INSULATOR	DELIRIN	WHITE
	CONTACT PIN	BRASS	GOLD
	INSULATOR	DELIRIN	WHITE
	BODY	BRASS	NICKEL
		MATERIAL	FINISH