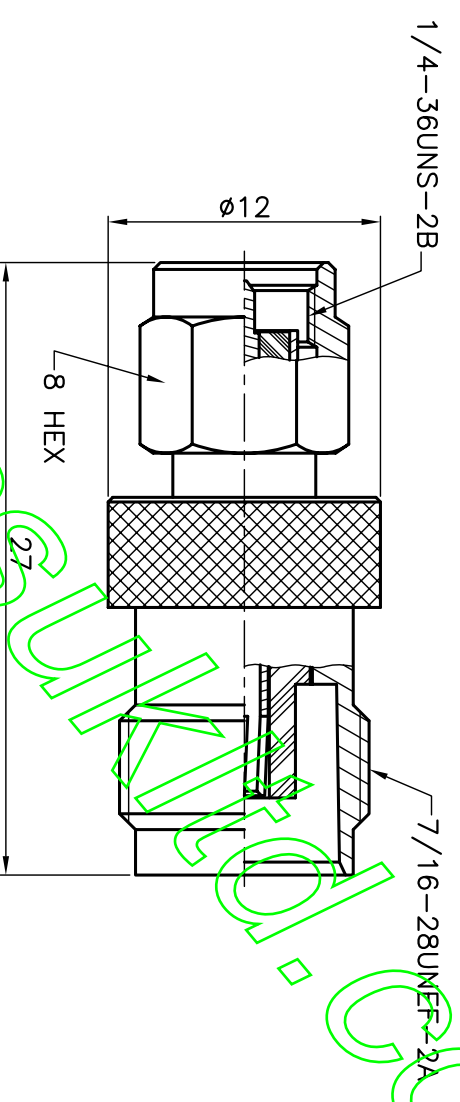


ISS	DESCRIPTION \ DATE

RoHS COMPLIANT



**CONNECTORS CABLES**  
**HRS**  
**SPECIALISTS LTD.**

TITLE: SMA MALE TO TNC FEMALE

PART NO: TJSMAPA50

DRAWING NO: 20310(A211B000)

APRD:	UNLESS OTHERWISE SPECIFIED TOLERANCES 0.5-6 = ±0.2 >6-30 = ±0.4 >30-120 = ±0.6 >120-315 = ±1.1 >315-1000 = ±1.6 ANGLES = ±5°
CHKD:	
DR:	
DATE: 02/02/12"	UNIT: mm
SHEET: .	SCALE: 3/1

NO.	DESCRIPTION	MATERIAL	FINISH
	CONTACT PIN	BRASS	GOLD
	INSULATOR	TEFLON	WHITE
	BODY	BRASS	NICKEL
		MATERIAL	FINISH

ISO 9001 certificate