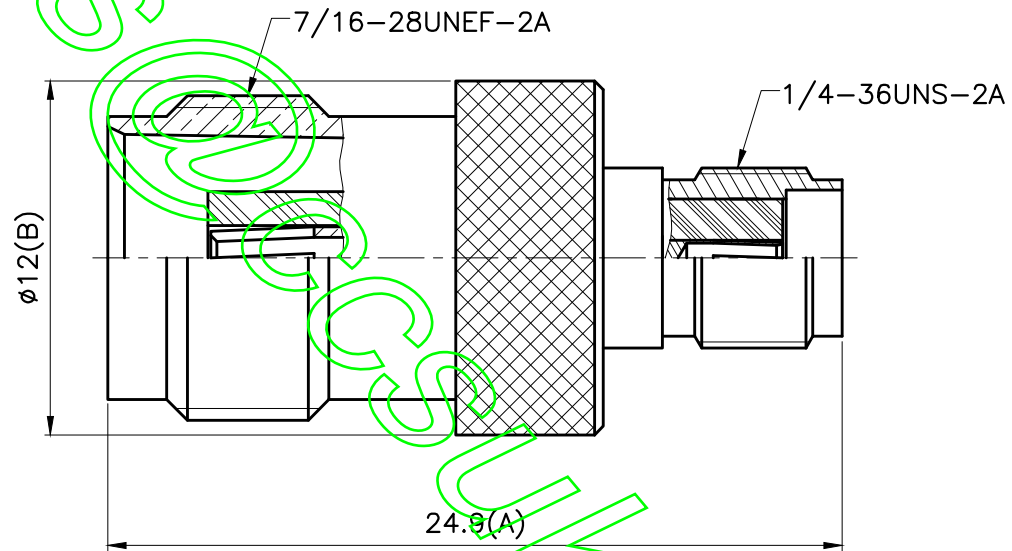


REVISIONS	
ISS	DESCRIPTION \ DATE

RoHS COMPLIANT



CONNECTORS CABLES



SPECIALISTS LTD.

TITLE: SMA FEMALE TO TNC FEMALE

APRD:	UNLESS OTHERWISE SPECIFIED TOLERANCES 0.5-6 = ±0.2 >6-30 = ±0.4 >30-120 = ±0.6 >120-315 = ±1 >315-1000 = ±1.6 ANGLES = ±5°					
CHKD:						
DR:						
PART NO: TJSMAJA50	DATE: 05/26/14"	UNIT: mm	CONTACT PIN	BRASS	GOLD	
DRAWING NO:	029	SHEET: .	SCALE: 4/1	INSULATOR	TEFLON	WHITE
				BODY	BRASS	NICKEL
				DESCRIPTION	MATERIAL	FINISH