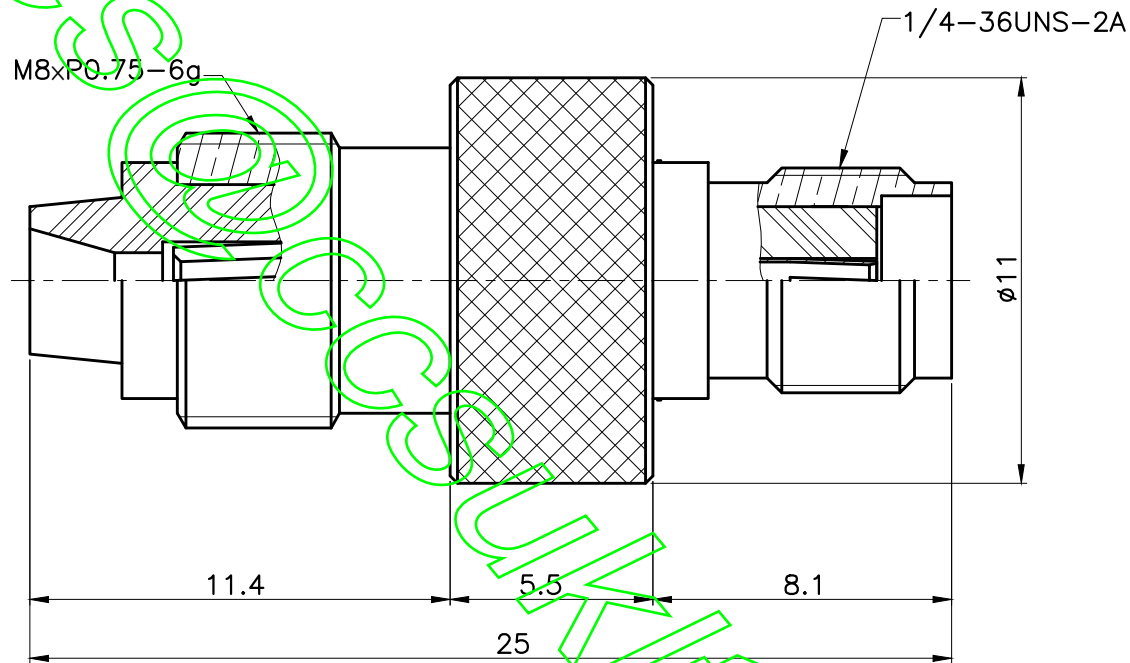


REVISIONS	
ISS	DESCRIPTION\DATE

RoHS COMPLIANT



TITLE: FEM FEMALE TO SMA FEMALE

PART NO: SMAJFMEJA50

DRAWING NO:

029

APRD:	UNLESS OTHERWISE SPECIFIED TOLERANCES 0.5-6 = ±0.2 >6-30 = ±0.4 >30-120 = ±0.6 >120-315 = ±1 >315-1000 = ±1.6 ANGLES = ±5°			
CHKD:				
DR:				
DATE: 06/11/13"	UNIT: mm	FME INSULATOR	DELRIN	WHITE
SHEET: .	SCALE: 5/1	CONTACT PIN	BRASS	GOLD
		SMA INSULATOR	TEFLON	WHITE
		BODY	BRASS	NICKEL
		NO. DESCRIPTION	MATERIAL	FINISH