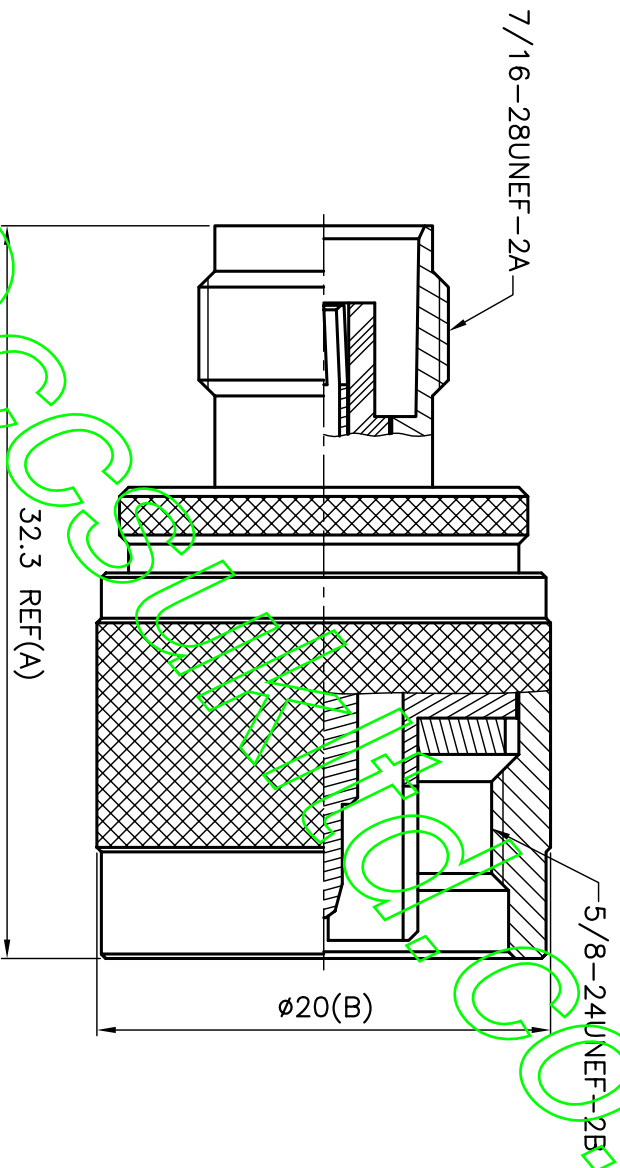


ISS	DESCRIPTION \ DATE

RoHS COMPLIANT



**CONNECTORS CABLES**  
**CHRS**  
**SPECIALISTS LTD.**

TITLE: N MALE TO TNC FEMALE

PART NO: NPTJA50  
DRAWING NO: 029

APRD:	UNLESS OTHERWISE SPECIFIED TOLERANCES
CHKD:	0.5-6 = ±0.2
DR:	>6-30 = ±0.4
DATE: 06/01/12"	>30-120 = ±0.6
SHEET: 1	>120-315 = ±1.0
	>315-1000 = ±1.6
	ANGLES = ±1.5°
UNIT: mm	
SCALE: 3/1	

DESCRIPTION	MATERIAL	FINISH
SHELL	BRASS	NICKEL
CONTACT PIN	BRASS	GOLD
INSULATOR	DELRIN	WHITE
BODY	BRASS	NICKEL
DESCRIPTION	MATERIAL	FINISH