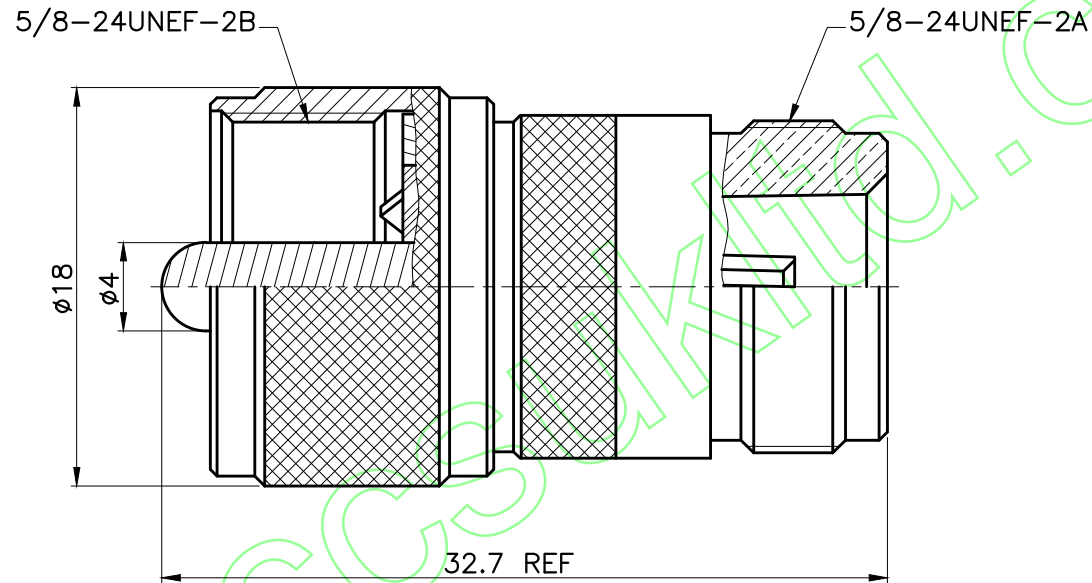


REVISIONS	
ISS	DESCRIPTION\DATE

RoHS COMPLIANT



CONNECTORS CABLES



SPECIALISTS LTD.

TITLE: UHF MALE TO N FEMALE

APRD:	UNLESS OTHERWISE SPECIFIED TOLERANCES 0.5-6 = ±0.2 >6-30 = ±0.4 >30-120 = ±0.6 >120-315 = ±1 >315-1000 = ±1.6 ANGLES = ±5°			
CHKD:				
DR:				
PART NO: NJUPA50	029	DATE: 08/05/19"	UNIT: mm	
DRAWING NO:			SCALE: 3/1	
				NO. DESCRIPTION MATERIAL FINISH
				SHELL BRASS NICKEL
				CONTACT PIN BRASS NICKEL
				INSULATOR DELRIN WHITE
				BODY BRASS NICKEL