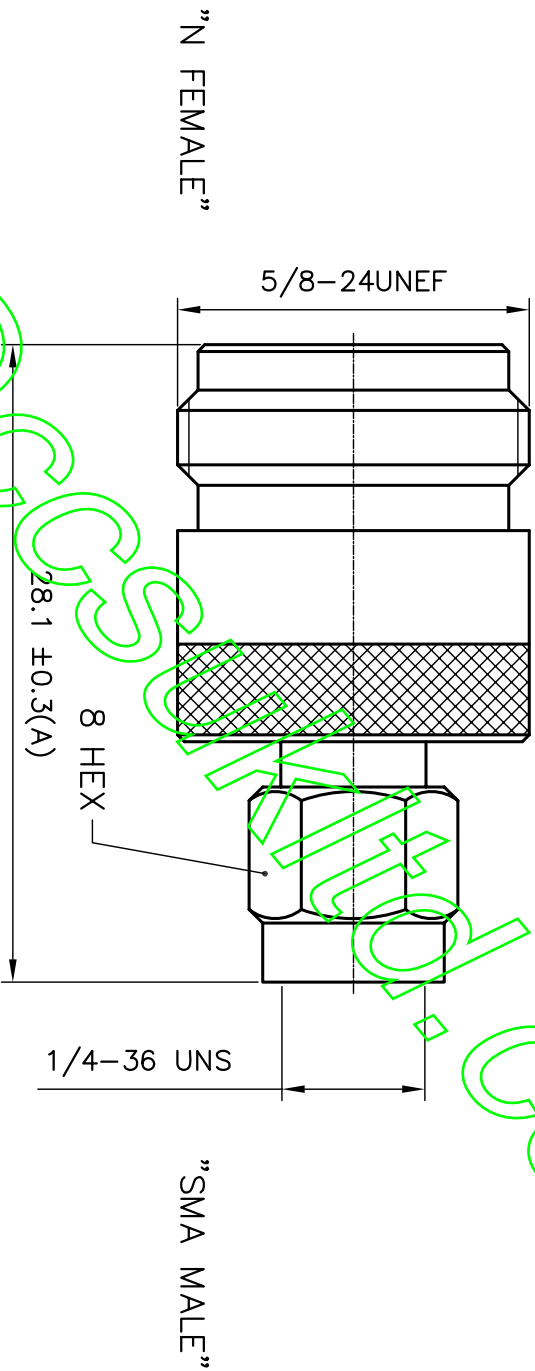


ISS	REVISIONS	DESCRIPTION \ DATE

RoHS COMPLIANT



CONNECTORS CABLES
CHS
SPECIALISTS LTD

TITLE: SMA MALE TO N FEMALE

PART NO: NJSMPA50

DRAWING NO:

APRD:	UNLESS OTHERWISE SPECIFIED TOLERANCES
CHKD:	0.5-6 = ±0.2
DR:	>6-30 = ±0.4
DATE: 08/06/10"	>30-120 = ±0.6
SHEET: .	>120-315 = ±1
	>315-1000 = ±1.6
	ANGLES = ±5°

DATE: 08/06/10"	UNIT: mm
SHEET: .	SCALE: 3/1

NO.	DESCRIPTION	MATERIAL	FINISH
	SMA SHELL	BRASS	NICKEL
	CONTACT PIN	BRASS	GOLD
	INSULATOR	TEFLON	WHITE
	BODY	BRASS	NICKEL
		MATERIAL	FINISH