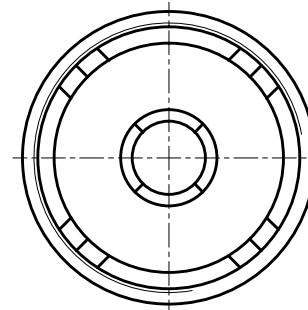


"BNC MALE"



"UHF FEMALE"

CONNECTORS CABLES



SPECIALISTS LTD.

ISO 9001 certificate

CONTACT PIN	BRASS/NICKEL PLATE
BODY	BRASS/NICKEL PLATE
INSULATOR	DELRIN
SHELL	ZINC ALLOY/NICKEL PLATE
DESCRIPTION	MATERIAL

APRD:		UNLESS OTHERWISE SPECIFIED TOLERANCES 0.5-5 = ±0.2 5-30 = ±0.4 30-120 = ±0.6 120-315 = ±1	TITLE: BNC MALE TO UHF FEMALE		
CHKD:			PART NO: BPUJA50	DRAWING NO:	
DR:			UNIT: mm	DATE: 92-09-05	SHEET: 1/1