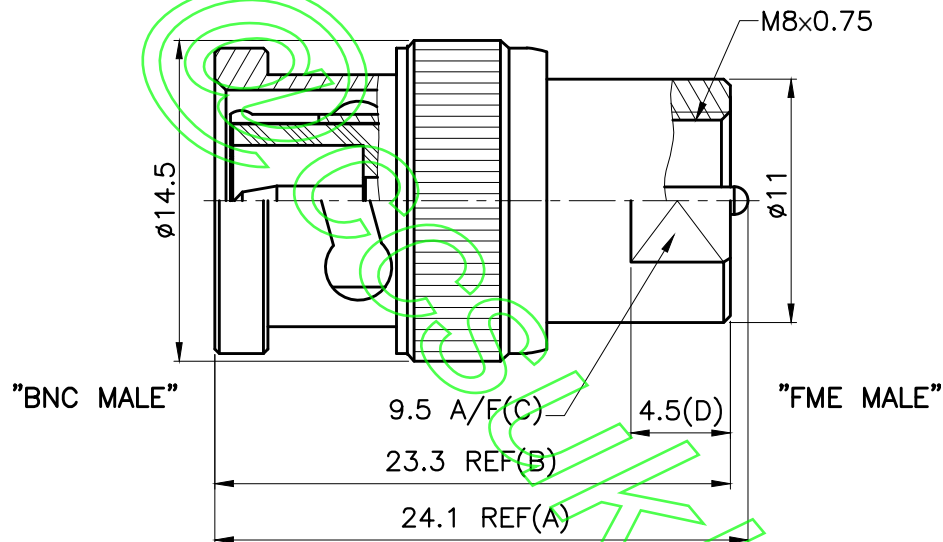


| REVISIONS | |
|-----------|------------------|
| ISS | DESCRIPTION\DATE |
| | |

RoHS COMPLIANT



CONNECTORS CABLES



SPECIALISTS LTD.

TITLE: BNC MALE TO FME MALE

| | | | | | | | |
|--------------------|--|------------|-------------|----------|----------------|----------------|---------------|
| APRD: | UNLESS OTHERWISE SPECIFIED TOLERANCES 0.5-6 = ±0.2 >6-30 = ±0.4 >30-120 = ±0.6 >120-315 = ±1 >315-1000 = ±1.6 ANGLES = ±5° | | | | | | |
| CHKD: | | | | | | | |
| DR: | | SHELL | BRASS | NICKEL | KA/2005/10527\ | KA/2005/60362 | |
| PART NO: BPFMEPA50 | DATE: 02/20/08" | UNIT: mm | CONTACT PIN | BRASS | GOLD | KA/2005/10527\ | KA/2005/30993 |
| DRAWING NO: | SHEET: . | SCALE: 3/1 | INSULATOR | DELTRIN | WHITE | KA/2005/10531 | |
| | | | BODY | BRASS | NICKEL | KA/2005/10527\ | KA/2005/60362 |
| | | | DESCRIPTION | MATERIAL | FINISH | SGS REPORT NO | |

ISO 9001 certificate