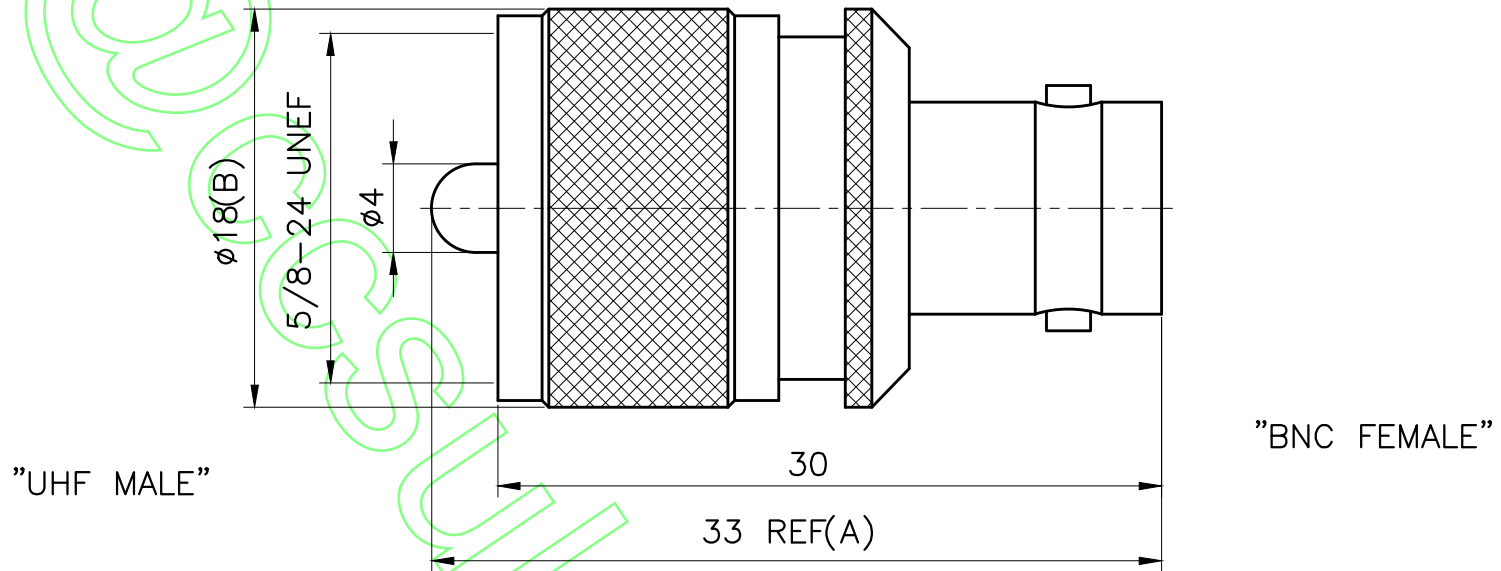


REVISIONS		
ISS	DESCRIPTION	DATE

RoHS COMPLIANT



"UHF MALE"

"BNC FEMALE"

CONNECTORS CABLES

CCS

SPECIALISTS LTD.

TITLE: BNC FEMALE TO UHF MALE		APRD:	UNLESS OTHERWISE SPECIFIED TOLERANCES 0.5-6 = ±0.2 >6-30 = ±0.4 >30-120 = ±0.6 >120-315 = ±1 >315-1000 = ±1.6 ANGLES = ±5°					
PART NO: BJUPA50		CHKD:		CONTACT PIN	BRASS	NICKEL	KA/2005/10527 \	KA/2005/60362
DRAWING NO: 30		DR:		INSULATOR	DELRIN	WHITE	KA/2005/10531	
DATE: 05/18/06"	UNIT: mm		BODY	BRASS	NICKEL	KA/2005/10527 \	KA/2005/60362	
SCALE: 3/1			NO. DESCRIPTION	MATERIAL	FINISH	SGS REPORT NO		